

Y497ENG
1019



MERLO ATTACHMENTS

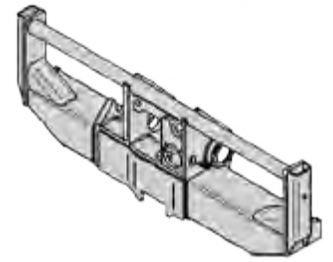
E.U. VERSION



Merlo carriages

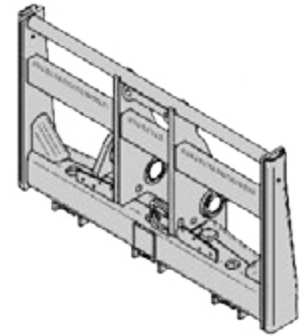
ZM2 carriage

CARRIAGE MODEL	WIDTH (mm)	HEIGHT (mm)	MAX. CAPACITY (kg)
ZM2	1190	381	2500/4500



ZM3 - ZM3 3TL* carriage

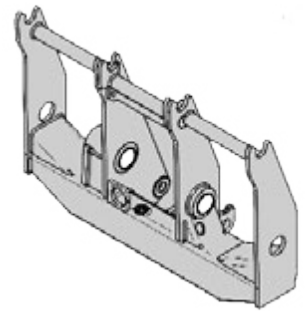
CARRIAGE MODEL	WIDTH (mm)	HEIGHT (mm)	MAX. CAPACITY (kg)
ZM3	1190	706	4500/7500
ZM3 3TL	1190	706	4500/7500



*Triple Tac-Lock

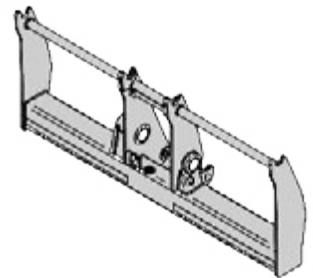
ZM4 carriage

CARRIAGE MODEL	WIDTH (mm)	HEIGHT (mm)	MAX. CAPACITY (kg)
ZM4	1360	948	8000/12000



ZM4 XL carriage

CARRIAGE MODEL	WIDTH (mm)	HEIGHT (mm)	MAX. CAPACITY (kg)
ZM4 XL	2315	948	8000/12000



Tac-lock

Tac-Lock: hydraulic attachment clamping system from the cab



Standard Tac-lock



Triple Tac-Lock



ZM4 Tac-Lock

Contents

FORKS	MERLO FORKS, FORK CARRIERS	page	6
	FEM FORKS, FORK CARRIERS	page	7
	FORKS POSITIONER ZM2	page	8
	CARRIAGE ZM4 XL WITH FORKS POSITIONER	page	9
BUCKETS	CONCRETE MIXER	page	10
	DIGGING BUCKET	page	11
	REHANDLING BUCKET	page	12
	BULK MATERIAL BUCKET	page	13
	REINFORCED BULK MATERIAL BUCKET	page	14
	MULTIPURPOSE BUCKET (4X1)	page	15
	MULTIPURPOSE BUCKET WITH GRAB	page	16
	SILAGE BUCKET	page	17
	BUCKET WITH HYDRAULIC HATCH	page	18
	WASTE BUCKET	page	19
FORKS AND CLAMPS	CEREAL PUSHER BLADE	page	20
	FORK FOR MANURE/STRAW WITH GRAB	page	21
	2/3 SPIKES FOLDING FORK FOR STRAW BALES	page	22
	FOUR SPIKES FOLDING FORK FOR STRAW BALES WITH SLIDING PROTECTION	page	23
	MODULAR ROUND BALE CLAMP	page	24
	HANDLER FOR SINGLE ROUND BALE	page	25
GRAPPLES	HANDLER FOR DOUBLE ROUND BALES	page	26
	LIFTING BOOM	page	27
	TELESCOPIC LIFTING BOOM	page	28
	FLY JIB	page	29
	FLY JIB WITH WINCH	page	30
	CRANE HOOK	page	31
PLATFORMS	HYDRAULIC WINCH ON CARRIAGE	page	32
	FIXED WIDTH PLATFORM	page	33
	FIXED WIDTH SLEWING PLATFORM	page	34
	EXTENSIBLE SLEWING PLATFORM	page	35
	FIXED WIDTH SLEWING PLATFORM WITH FRONT OPENING	page	36
	AERIAL WORK PLATFORM WITH PANELS HANDLING DEVICE	page	37
SPECIAL	SPACE PLATFORM	page	38
	BRICKS HANDLER	page	39
	MATERIALS CONTAINER	page	40
	DOUBLE LOG CLAMP	page	41
	BIN HANDLER	page	42
	PIPE HANDLER	page	43
	TYRE HANDLER	page	44
	CYLINDER HANDLER	page	45
	DRUM CLAMP	page	46
TUNNEL RING HOLDER BOOM	page	47	
MERLO DYNAMIC LOAD CONTROL	Page	48	

Attachment alphabetical index

2/3 SPIKES FOLDING FORK FOR STRAW BALES	page	22
AERIAL WORK PLATFORM WITH PANELS HANDLING DEVICE	page	37
BIN HANDLER	page	42
BRICKS HANDLER	page	39
BUCKET WITH HYDRAULIC HATCH	page	18
BULK MATERIAL BUCKET	page	13
CARRIAGE ZM4 XL WITH FORKS POSITIONER	page	9
CEREAL PUSHER BLADE	page	20
CONCRETE MIXER	page	10
CRANE HOOK	page	31
CYLINDER HANDLER	page	45
DIGGING BUCKET	page	11
DOUBLE LOG CLAMP	page	41
DRUM CLAMP	page	46
EXTENSIBLE SLEWING PLATFORM	page	35
FEM FORKS, FORK CARRIERS	page	7
FIXED WIDTH PLATFORM	page	33
FIXED WIDTH SLEWING PLATFORM	page	34
FIXED WIDTH SLEWING PLATFORM WITH FRONT OPENING	page	36
FLY JIB	page	29
FLY JIB WITH WINCH	page	30
FORK FOR MANURE/STRAW WITH GRAB	page	21
FORKS POSITIONER ZM2	page	8
FOUR SPIKES FOLDING FORK FOR STRAW BALES WITH SLIDING PROTECTION	page	23
HANDLER FOR DOUBLE ROUND BALES	page	26
HANDLER FOR SINGLE ROUND BALE	page	25
HYDRAULIC WINCH ON CARRIAGE	page	32
LIFTING BOOM	page	27
MATERIALS CONTAINER	page	40
MERLO DYNAMIC LOAD CONTROL	Page	48
MERLO FORKS, FORK CARRIERS	page	6
MODULAR ROUND BALE CLAMP	page	24
MULTIPURPOSE BUCKET (4X1)	page	15
MULTIPURPOSE BUCKET WITH GRAB	page	16
PIPE HANDLER	page	43
REHANDLING BUCKET	page	12
REINFORCED BULK MATERIAL BUCKET	page	14
SILAGE BUCKET	page	17
SPACE PLATFORM	page	38
TELESCOPIC LIFTING BOOM	page	28
TUNNEL RING HOLDER BOOM	page	47
TYRE HANDLER	page	44
WASTE BUCKET	page	19

Merlo forks, fork carriers

Standard forks

	SALES REF.		ZM	WEIGHT (kg)	LENGTH (mm)	MAX. CAPACITY (kg)
	PAIR	SINGLE		SINGLE	SINGLE	SINGLE
	A0300	A0300.1	ZM2	77	1200	1750
	A0301	A0301.1	ZM2	85	1200	2250
	A0304	A0304.1	ZM2	87	1200	2250
NEW	A0311	A0311.1	ZM2	87	1200	2500-2250
	A0302	A0302.1	ZM3	143	1200	3000
	A0306	A0306.1	ZM3	190	1200	3750
NEW	A0323	A0323.1	ZM3	143	1200	3750
	A0305	A0305.1	ZM4	290	1800	5000-6000
	A0322	A0322.1	ZM4 XL	290	1800	5000-6000



Extra large forks carriage

	SALES REF.	ZM	WEIGHT (kg)	WIDTH (mm)	MAX. CAPACITY (kg)
	A0100	ZM2	140	1895	4500
	A0101	ZM3	175	1920	7500



Carriage with floating forks

	SALES REF.	ZM	WEIGHT (kg)	WIDTH (mm)	MAX. CAPACITY (kg)
	A0293	ZM2	220	1200	1500
	A0294	ZM2	230	1200	1500
	A0291	ZM2	290	1200	4500
	A0292	ZM2	305	1200	4500
NEW	A0271**	ZM2	315	1200	4500
	A0291A*	ZM2	320	1200	4500
	A0292A*	ZM2	336	1200	4500
NEW	A0298	ZM3	480	1200	7500



*Approved for road use

**With hydraulic fork positioner

Extra long forks carriage

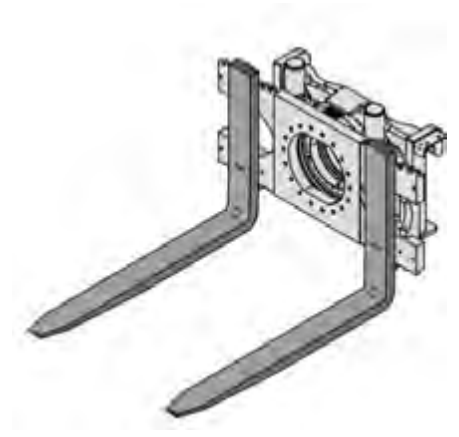
	SALES REF.	ZM	WEIGHT (kg)	WIDTH (mm)	LENGTH (mm) SINGLE	MAX. CAPACITY (kg)
NEW	A0606	ZM2	420	1200	2400	1800
NEW	A0605	ZM2	410	1200	2000	2200
NEW	A0608	ZM3	640	1210	2400	2700
NEW	A0607	ZM3	580	1210	2000	3200



Merlo forks, fork carriers

Rotating fork carriage

	SALES REF.	FEM ATTACH.	ZM	WEIGHT (kg)	WIDTH (mm)	ROTATION MOVEMENT (°)	MAX. CAPACITY (kg)
NEW	A3215	III	ZM2	550	1200	360	3500
NEW	A3216	IV	ZM3	1015	1760	360	5000



FEM forks, fork carriers

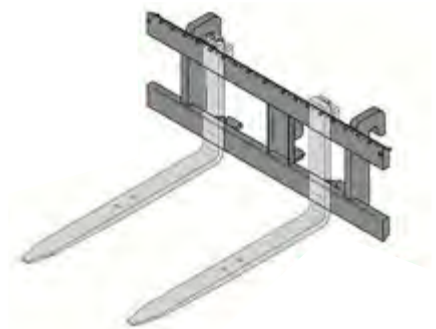
FEM forks

SALES REF.		FEM ATTACH.	WEIGHT (kg)	LENGTH (mm)	MAX. CAPACITY (kg)
PAIR	SINGLE		SINGLE	SINGLE	SINGLE
A0500	A0500.1	III	83	1200	2150
A0520	A0520.1	IV	131	1200	3000
A0524	A0524.1	IV	161	1200	3600
A0521	A0521.1	V	226	1200	5000



FEM forks carriage

SALES REF.	FEM ATTACH.	ZM	WEIGHT (kg)	WIDTH (mm)	MAX. CAPACITY (kg)
A0200	III	ZM2	145	1500	4500
A0201	III	ZM2	156	1500	4500
A0210	III	ZM2	185	2000	4500
A0211	III	ZM2	190	2000	4500
A0230	IV	ZM3	310	1500	7500
A0240	IV	ZM3	355	1800	7500
A0245	V	ZM4	515	2400	10000



Forks sideshifter on standard carriage

SALES REF.	FEM ATTACH.	ZM	WEIGHT (kg)	WIDTH (mm)	TRANSLATION MOVEMENT (mm)	MAX. CAPACITY (kg)
A0281	III	ZM2	410	1355	+/- 154	4000
A0282	III	ZM2	380	1355	+/- 154	4000
A0283	IV	ZM3	560	1355	+/- 154	7000



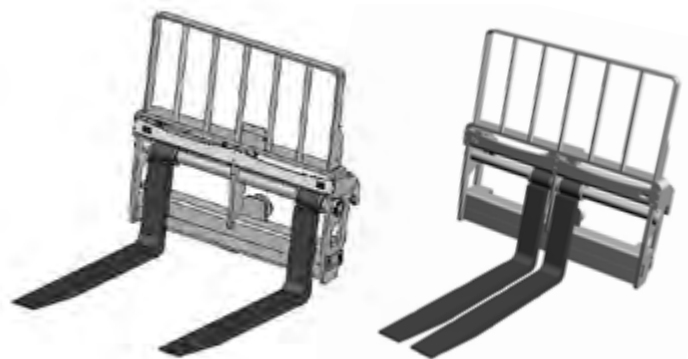


Fork positioner ZM2

Automatic fork positioner on ZM2 carriage

FEATURES

- ✓ Allows the forks to be moved safely
- ✓ To be applied on standard ZM2 carriage
- ✓ Extreme versatility of use
- ✓ Hydraulic actuator



SALES REF.	ZM	WEIGHT (kg)	WIDTH (mm)	MAX. CAPACITY (kg)
16S509	ZM2	360	1200	4000

REQUIREMENTS	OPTIONS	LIMITATIONS
-	-	-



Carriage ZM4 XL with fork positioner

Automatic fork positioner on ZM4 XL carriage

FEATURES

- ✓ Allows the forks to be moved safely
- ✓ Carriage ZM4 extra-large
- ✓ Item available only on new machines (it replaces standard ZM4 carriage)
- ✓ Hydraulic actuator



SALES REF.	ZM	WEIGHT (kg)	WIDTH MIN-MAX (mm)	FORK LENGHT (mm)	MAX. CAPACITY (kg)
V2250	ZM4 XL	290	454-2315	1800	11500

REQUIREMENTS	OPTIONS	LIMITATIONS
-	V2250 kit includes ZM4 extralarge carriage with fork positioner. Some attachments may not be compatible with the ZM4 XL (A0245, A0521, A2201, A0305)	-



Concrete mixer

Designed to mix and handle concrete having a maximum density of 2.500 kg/m³

FEATURES

- ✓ Hydraulic hatch opening and closing, even with radio control
- ✓ Hydraulic control of propeller protective grid, with automatic closure device
- ✓ Wear resistant, replaceable steel propellers
- ✓ Rotating chute for delivering concrete



COMMERCIAL REF. CODE	WEIGHT (kg)	WIDTH (mm)	LOAD CAPACITY (l)	MAXIMUM CAPACITY (kg)	MACHINE RANGE					
					COMP	MC	MF	STAB	HC	ROTO
A1565	690	1060	350	875	●	●	●	●	-	-
A1570	750	1710	500	1250	●	●	●	●	-	-
A1571	750	1710	500	1250	-	-	-	-	-	●
A1580	880	2225	750	1875	●	●	●	●	-	-
A1581	880	2225	750	1875	-	-	-	-	-	●
A1582	1020	2225	750	1875	-	-	-	-	●	●
A1583	1020	2225	750	1875	-	-	-	-	●	-

REQUIREMENTS	OPTIONS	LIMITATIONS
Pre-arrangement for mixing bucket	Extension chute (1.5m), unload hose (1.5m), radio control	-

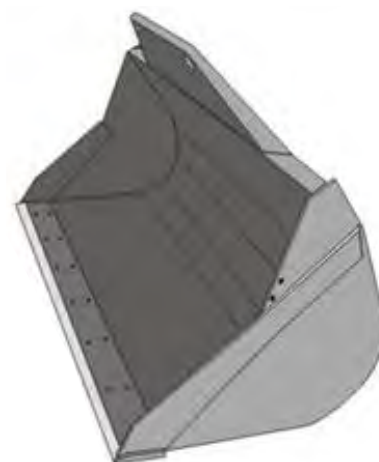


Digging bucket

Ideal for excavation and handling of material with a maximum density of 2.250 kg/m³

FEATURES

- ✓ *Monocoque body for better resistance*
- ✓ *Delivered with front cutter protection for on-road circulation*
- ✓ *Bucket loader cutter and wear blade with hardness 530HB*
- ✓ *Side reinforcement cutters*



COMMERCIAL REF. CODE	WEIGHT (kg)	WIDTH (mm)	CAPACITY* (l)	MAXIMUM CAPACITY (kg)	MACHINE RANGE					
					COMP	MC	MF	STAB	HC	ROTO
A0699	300	1840	550	1250	●	-	-	-	-	-
A0700	360	2000	800	1800	●	-	-	-	-	●
A0708	380	2150	850	1900	●	-	-	●	-	-
NEW A0698	370	2100	850	1910	●	●	-	●	-	-
A0701	400	2240	900	2025	●	●	●	●	-	●
A0706	430	2440	1000	2250	-	-	●	●	-	●
A0707	400	2440	1000	2250	-	-	-	-	●	●
A0704°	565	2440	1200	2700	-	-	-	-	●	●
A0703	910	2440	1800	4050	-	-	-	-	●	-

*heaped full capacity °triple Tac-Lock

REQUIREMENTS	OPTIONS	LIMITATIONS
-	Teeth, Blade wear	-

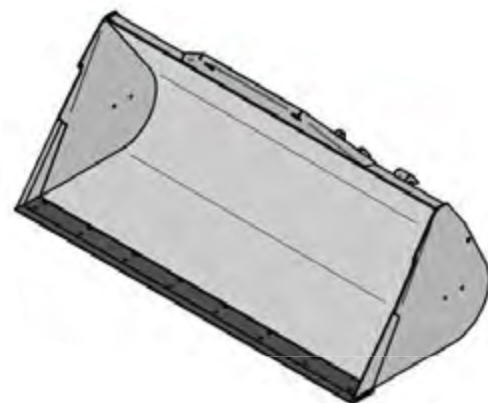


Rehandling bucket

Bucket designed to handle materials having a maximum density of 1.800 kg/m³

FEATURES

- ✓ Suitable for levelling, shifting and handling
- ✓ Monocoque body with external reinforcements for better resistance
- ✓ Delivered with front cutter protection for on-road circulation
- ✓ Bucket loader cutter and wear blade with hardness 530HB



COMMERCIAL REF. CODE	WEIGHT (kg)	WIDTH (mm)	CAPACITY* (l)	MAXIMUM CAPACITY (kg)	MACHINE RANGE					
					COMP	MC	MF	STAB	HC	ROTO
A0710	390	2240	1250	2250	●	●	●	●	-	●
NEW A0715	380	2240	1250	2250	●	-	●	●	-	-
A0712	410	2400	1350	2430	●	●	●	●	-	●
A0717	710	2500	1800	3240	-	-	-	-	●	●

*heaped full capacity

REQUIREMENTS	OPTIONS	LIMITATIONS
-	Teeth, Blade wear	-



Bulk Material Bucket

Bucket designed to handle bulk materials having a maximum density of 900 kg/m³

FEATURES

- ✓ Ideal for bulk materials
- ✓ Monocoque body with external reinforcements for better resistance
- ✓ Sides with steel ribbing
- ✓ Wear blade with double bolted bevel available



COMMERCIAL REF. CODE	WEIGHT (kg)	WIDTH (mm)	CAPACITY* (l)	MAXIMUM CAPACITY (kg)	MACHINE RANGE					
					COMP	MC	MF	STAB	HC	ROTO
A0716	435	1840	1500	1350	●	-	-	-	-	-
A0713	435	2000	1700	1530	●	-	-	-	-	-
NEW A0714	485	2240	1800	1620	●	●	●	●	-	●
NEW A0718	460	2100	1900	1710	●	●	●	●	-	-
A0720	490	2400	2000	1800	●	●	●	●	-	●
A0720A	541	2400	2000	1800	●	●	●	●	-	●
A0780	605	2400	2500	2250	●	●	●	●	-	●
A0782	695	2500	3000	2700	-	●	●	●	-	●
A0781°	740	2500	2500	2250	-	-	-	-	●	●
R2200°	890	2500	3000	2700	-	-	-	-	●	●
A0785	1100	2500	3500	3150	-	-	-	-	●	-
A0786	1400	2500	5000	4500	-	-	-	-	●	-

*heaped full capacity

°triple Tac-Lock

REQUIREMENTS	OPTIONS	LIMITATIONS
-	Blade wear	-

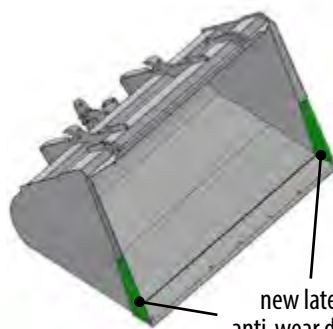


Reinforced bulk material bucket

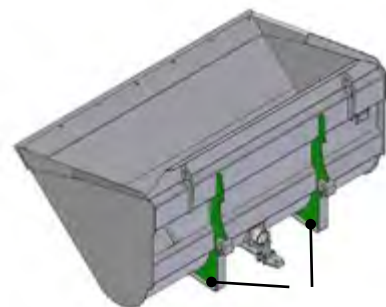
Reinforced bulk bucket for exceptional performance

FEATURES

- ✓ Extremely versatile bucket for countless applications
- ✓ Reinforced bucket structure compared to classic bucket
- ✓ The increased tilting angle makes the material to be moved easily
- ✓ Double layer wearing blade for longer operating life



new lateral anti-wear devices



new M20 joints for increased strength

COMMERCIAL REF. CODE	WEIGHT (kg)	WIDTH (mm)	CAPACITY (l)	MAXIMUM CAPACITY (kg)	MACHINE RANGE					
					COMP	MC	MF	STAB	HC	ROTO
A0730	556	2050	1500	1350	-	-	-	-	-	-
A0731	660	2250	1800	1620	●	●	●	●	-	●
A0732	670	2400	1800	1620	●	●	●	●	-	●
A0733	715	2400	2000	1800	●	●	●	●	-	●
A0734	763	2400	2200	1980	-	●	●	●	-	-
A0735	805	2500	2500	2250	-	●	●	●	-	-
A0736	805	2500	2500	2250	-	-	-	-	●	-
A0737	860	2500	3000	2700	-	-	-	-	●	-
A0738	984	2500	3500	3150	-	-	-	-	●	-

REQUIREMENTS	OPTIONS	LIMITATIONS
-	-	-



Multipurpose bucket (4x1)

Ideal attachment for various processing operations: excavation (max density 2.250 kg/m³), rehandling (max density 1.800 kg/m³), bulk handling (max density 900 kg/m³)

FEATURES

- ✓ Suitable for levelling, pushing, excavating, handling
- ✓ Mobile part for unloading on to truck or trailers
- ✓ Triple Tack Lock as standard (excluding A0810)
- ✓ Delivered with front cutter protection for on-road circulation



COMMERCIAL REF. CODE	WEIGHT (kg)	WIDTH (mm)	BLADE WIDTH (mm)	CAPACITY* (l)	CAPACITY (kg)	MACHINE RANGE					
						COMP	MC	MF	STAB	HC	ROTO
DIGGING BUCKET											
A0810	630	1905	1840	600	1350	●	-	-	-	-	-
A0800	720	2305	2240	800	1800	●	●	●	●	●	●
A0820	780	2305	2240	1000	2250	●	●	●	●	●	●
REHANDLING BUCKET											
A0870	840	2305	2240	1250	2250	●	●	●	●	●	●
BULK MATERIAL BUCKET											
A0860	1220	2585	2500	3000	2700	-	-	-	-	●	-

*heaped full capacity

REQUIREMENTS	OPTIONS	LIMITATIONS
-	Teeth (excavation only), Blade wear	-

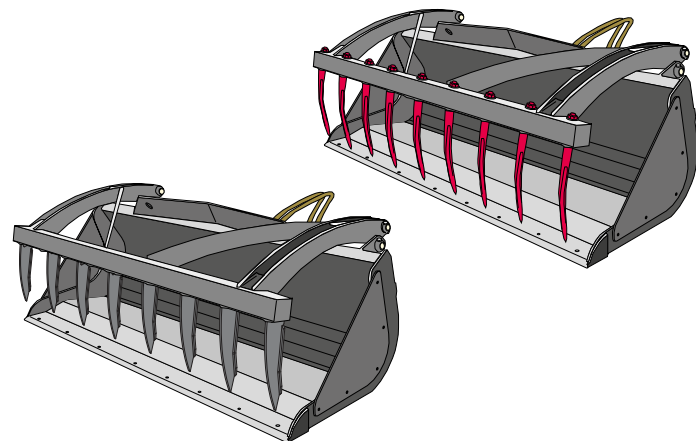


Multipurpose bucket with grab

Attachments designed to handle materials having a maximum density of 1.800 kg/m³

FEATURES

- ✓ *Monocoque body for better resistance*
- ✓ *Removable sides for more volume*
- ✓ *Available with welded or forged teeth, with closure flush with or against walls to meet any operating requirement*
- ✓ *Hydraulically-operated grab*



COMMERCIAL REF. CODE	WEIGHT (kg)	WIDTH (mm)	LOAD CAPACITY (t)	MAXIMUM CAPACITY (kg)	MACHINE RANGE					
					COMP	MC	MF	STAB	HC	ROTO
A0836	497	1840	700	1260	●	-	-	-	-	-
A0841	570	2000	900	1700	●	●	●	●	-	-
A0840	605	2240	1000	1900	●	●	●	●	-	-
NEW A0852	595	2100	1100	1980	●	●	●	●	-	-
A0838	660	2400	1200	2160	●	●	●	●	-	-
A0843	700	2400	1500	2700	-	●	●	●	-	-
A0846	804	2400	2350	4230	-	-	-	-	●	-

Warning: weight varies depending on the teeth chosen. weight of forged teeth is indicated

REQUIREMENTS	OPTIONS	LIMITATIONS
-	Blade wear	-



Silage bucket

Bucket for silage with 3000 l capacity

FEATURES

- ✓ *Maximum output for agricultural silage applications*
- ✓ *Bucket structure designed to safely move silage material*
- ✓ *Teeth specifically designed to scrape the silage material*
- ✓ *Light and resistant grab design*



COMMERCIAL REF. CODE	WEIGHT (kg)	WIDTH (mm)	LOAD CAPACITY (l)	MAXIMUM CAPACITY (kg)	MACHINE RANGE					
					COMP	MC	MF	STAB	HC	ROTO
12S554	1520	2440	3000	2700	●	●	●	●	-	-

REQUIREMENTS	OPTIONS	LIMITATIONS
-	-	-



Bucket with hydraulic hatch

Cerial bucket with hydraulically actuated hatch having a maximum density of 900 kg/m³

FEATURES

- ✓ Ideal for cerial and other bulk materials
- ✓ It allows the material to be discharged without carriage movement
- ✓ Hatch is open/closed hydraulically
- ✓ Double-layer wearing blade available in steel or in polymer material



COMMERCIAL REF. CODE	WEIGHT (kg)	WIDTH (mm)	LOAD CAPACITY (t)	MAXIMUM CAPACITY (kg)	MACHINE RANGE					
					COMP	MC	MF	STAB	HC	ROTO
A0861	556	2500	2000	1800	●	●	-	●	-	●
A0862	700	2500	2500	2250	-	-	-	-	●	-

REQUIREMENTS	OPTIONS	LIMITATIONS
-	Blade wear	-

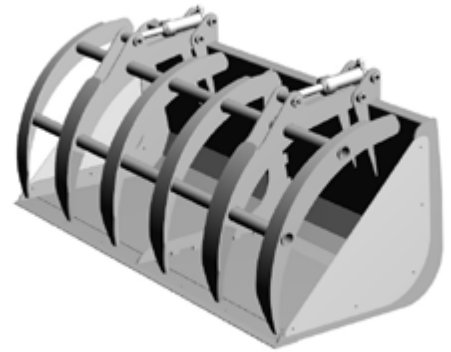


Waste bucket

Bucket designed to move garbage and recycling material

FEATURES

- ✓ *Grab designed to safely clench the material*
- ✓ *Can be used with materials of variable density*
- ✓ *Strong and resistant structure*
- ✓ *Removable lateral side panels included*



COMMERCIAL REF. CODE	WEIGHT (kg)	WIDTH (mm)	LOAD CAPACITY (t)	MAXIMUM CAPACITY (kg)	MACHINE RANGE					
					COMP	MC	MF	STAB	HC	ROTO
A0872	800	2400	2000	1800	●	●	●	●	●	●

REQUIREMENTS	OPTIONS	LIMITATIONS
-	-	-

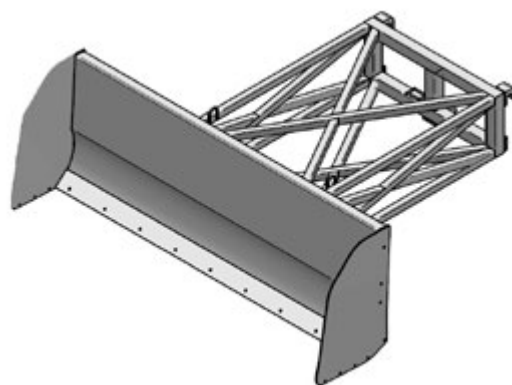


Cereal Pusher Blade

Pusher blade ideal for cereal pushing and handling

FEATURES

- ✓ Light and practical attachments to easily push cereals
- ✓ Extension frame designed for maximum strenght and visibility
- ✓ Provided with a rubber wearing blade to esase the sliding movement
- ✓ Lateral support pads in ertalon material to prevent floor damage



COMMERCIAL REF. CODE	WEIGHT (kg)	BLADE WIDTH (mm)	BLADE HEIGHT (mm)	EXTENSION LENGHT (mm)	MACHINE RANGE					
					COMP	MC	MF	STAB	HC	ROTO
A0905	480	2600	910	1790	●	●	●	●	-	-
A0906	535	2600	910	2500	-	-	-	-	●	-

REQUIREMENTS	OPTIONS	LIMITATIONS
-	-	-

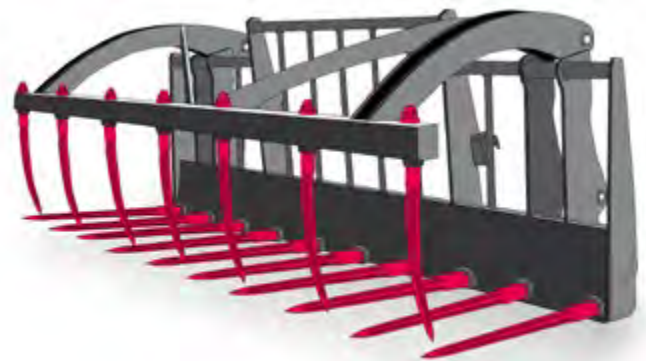


Fork for manure/straw with grab

Designed to handle manure with straw content having a maximum density of 800 kg/m³

FEATURES

- ✓ *High-penetration tips*
- ✓ *Reinforced structure*
- ✓ *Hydraulically-operated grab*
- ✓ *Version without grab available on request*



COMMERCIAL REF. CODE	WEIGHT (kg)	WIDTH (mm)	MAXIMUM CAPACITY (kg)	MACHINE RANGE					
				COMP	MC	MF	STAB	HC	ROTO
WITH GRAB									
A2301	518	1945	1500	●	●	●	●	-	-
A2300	580	2280	2000	●	●	●	●	-	-
A2303	600	2280	2000	-	-	-	-	●	-
WITHOUT GRAB									
A2306	304	2250	2000	●	●	●	●	-	-

REQUIREMENTS	OPTIONS	LIMITATIONS
-	additional side teeth	-

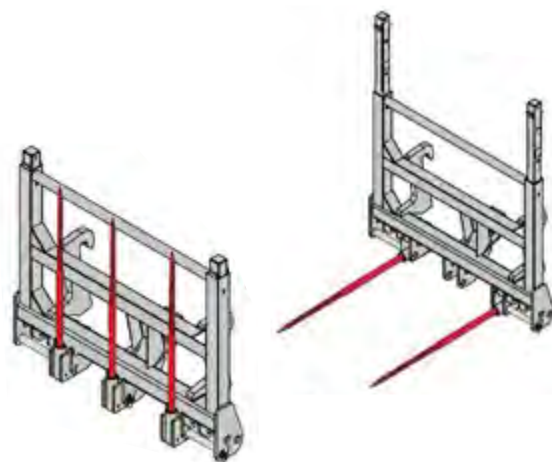


2/3 spikes folding fork for straw bales

Attachment suitable for handling one or two bales

FEATURES

- ✓ Extractable sliding upper guard.
- ✓ Interchangeable and tip-over high-penetration tines
- ✓ Reinforced structure
- ✓ Different tine lengths depending on model



COMMERCIAL REF. CODE	WEIGHT (kg)	N TIPS	LENGTH TINES (mm)	WIDTH (mm)	MAXIMUM CAPACITY (kg)	MACHINE RANGE					
						COMP	MC	MF	STAB	HC	ROTO
A2331	220	3	840	1390	1500	●	●	●	●	-	-
A2332	230	3	1040	1390	1500	●	●	●	●	-	-
A2333	240	3	1220	1390	1500	●	●	●	●	-	-
A2334	220	2	1220	1390	1000	●	●	●	●	-	-
A2336	225	3	1220	1390	1500	-	-	-	-	●	-

REQUIREMENTS	OPTIONS	LIMITATIONS
-	-	-

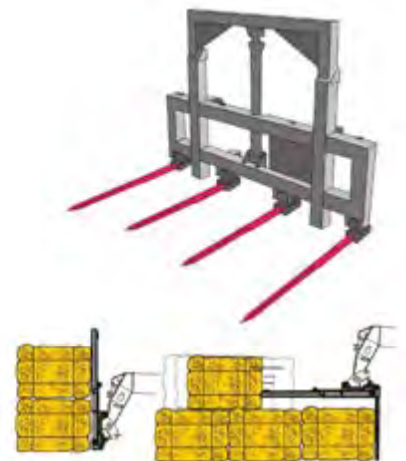


4 spikes folding fork for straw bales with sliding protection

Attachment suitable for handling one or two bales

FEATURES

- ✓ Suitable for storing bales up to roof level
- ✓ Hydraulically-operated height-adjustable protection
- ✓ Interchangeable and tip-over high-penetration tips
- ✓ Guard height from 1.320 mm to 1.900 mm



COMMERCIAL REF. CODE	WEIGHT (kg)	WIDTH (mm)	MAXIMUM CAPACITY (kg)	MACHINE RANGE					
				COMP	MC	MF	STAB	HC	ROTO
A2340	320	1720	1500	●	●	●	●	-	-

REQUIREMENTS	OPTIONS	LIMITATIONS
-	-	-

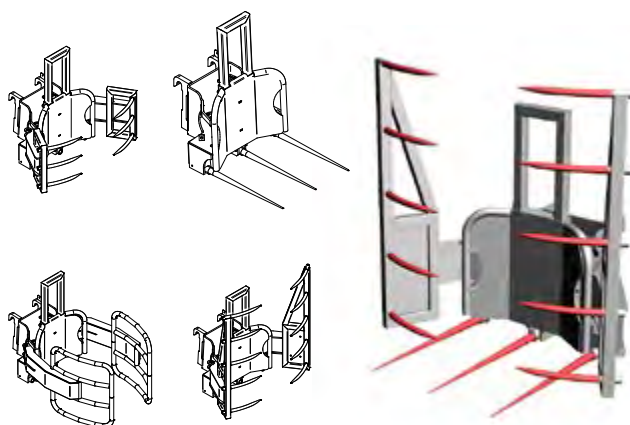


Modular round bale clamp

Modular attachment provided with fork and clamp for bales

FEATURES

- ✓ High flexibility thanks to the different configurations available
- ✓ Configurations: fork only, clamp only, fork + clamp
- ✓ Clamp available both for wrapped or unwrapped bales
- ✓ It can be used to move two unwrapped round bales (only one in the wrapped configuration)



COMMERCIAL REF. CODE	WEIGHT (kg)	WIDTH (mm)	ROTARY BALE DIAMETER		MAXIMUM CAPACITY (kg)	MACHINE RANGE					
			ØP (m)	ØF (m)		COMP	MC	MF	STAB	HC	ROTO
15S538A	400	1450-1760	1,2-2	1,4-1,8	1200	●	●	●	●	-	-

ØP: round bale without band

ØF: round bale with band

REQUIREMENTS	OPTIONS	LIMITATIONS
-	-	-

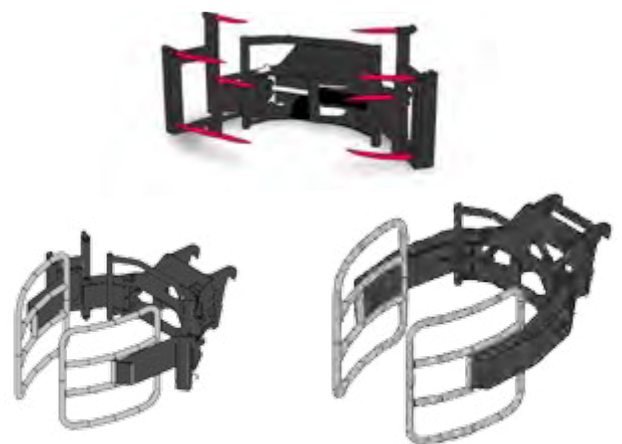


Handler for single round bale

Attachment designed for handling round bales

FEATURES

- ✓ Version available for round bales with or without bands
- ✓ Easy transitions from banded to non-banded rotary bales for multi-purpose versions
- ✓ Available for various bale dimensions
- ✓ Independent closure movement for individual sides



COMMERCIAL REF. CODE	WEIGHT (kg)	WIDTH (mm)	ROTARY BALE DIAMETER		MAXIMUM CAPACITY (kg)	MACHINE RANGE					
			ØP (m)	ØF (m)		COMP	MC	MF	STAB	HC	ROTO
A2407	190	1485	1,2-2		1200	●	●	●	●	●	-
A2408	270	1495	1,2-2	1,4-1,5	1200	●	●	●	●	●	-
A2405	323	1495	1,2-2	1,4-1,8	1200	●	●	●	●	●	-
A2402	210	1215		1,4-1,5	1000	●	●	●	●	●	-
A2406	240	1200		1,4-1,8	1000	●	●	●	●	●	-

ØP: round bale without band

ØF: round bale with band

REQUIREMENTS	OPTIONS	LIMITATIONS
-	-	-



Handler for double round bales

Attachment designed to handle one or two bales without bands

FEATURES

- ✓ Possibility of controlling the clamps simultaneously or independently* (only on pre-set machines)
- ✓ Possibility of handling 1 or 2 bales at a time
- ✓ Lightweight, sturdy structure
- ✓ Independent closure movement for individual sides



COMMERCIAL REF. CODE	WEIGHT (kg)	WIDTH (mm)	ROTARY BALE DIAMETER		MAXIMUM CAPACITY (kg)	MACHINE RANGE					
			ØP (m)	ØF (m)		COMP	MC	MF	STAB	HC	ROTO
A2413	390	1485	1,2-2	-	1200	●	●	●	●	-	-
A2413A	390	1485	1,2-2	-	1200	●	●	●	●	-	-

ØP: round bale without band

ØF: round bale with band

REQUIREMENTS	OPTIONS	LIMITATIONS
* Pre-set in relation to hydraulic function	-	-



Lifting boom

Ideal attachment for handling suspended overhanging loads

FEATURES

- ✓ Type-approved safety hook fitted with safety tang slewing over 360°
- ✓ Ideal for handling suspended loads
- ✓ Load limiter fitted as standard
- ✓ Sturdy structure



COMMERCIAL REF. CODE	WEIGHT (kg)	WIDTH (mm)	LENGTH* (mm)	MAXIMUM CAPACITY (kg)	MACHINE RANGE					
					COMP	MC	MF	STAB	HC	ROTO
A1118B	125	495	1335	2200	●	●	●	●	-	●
A1124B	125	495	1335	1500	●	-	-	-	-	-
A1119B	190	550	1340	3500	-	-	-	-	●	●
A1129B	415	570	1780	6000	-	-	-	-	●	-

*carriage – hook centre distance

REQUIREMENTS	OPTIONS	LIMITATIONS
-	-	-

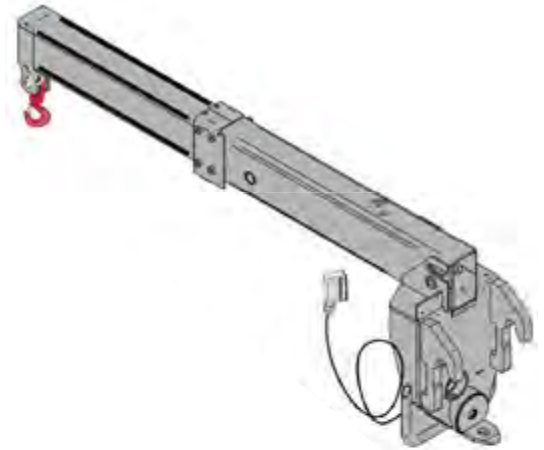


Telescopic lifting boom

Attachment designed for handling suspended overhanging loads

FEATURES

- ✓ Type-approved safety hook fitted with safety tang slewing over 360°
- ✓ Ideal for handling suspended loads
- ✓ Load limiter fitted as standard
- ✓ Extendable boom (725 mm)



COMMERCIAL REF. CODE	WEIGHT (kg)	WIDTH (mm)	LENGTH* (mm)	MAXIMUM CAPACITY (kg)	MACHINE RANGE					
					COMP	MC	MF	STAB	HC	ROTO
A1123B	220	475	1445	1500	-	●	●	●	-	●

*carriage – hook centre distance

REQUIREMENTS	OPTIONS	LIMITATIONS
-	-	-



 **Fly jib**

Ideal for lifting, transport and positioning of suspended loads

FEATURES

- ✓ High stiffness, low-weight trellis structure
- ✓ Type-approved safety hook fitted with safety tang slewing over 360°.
- ✓ Load limiter fitted as standard
- ✓ Available in various lengths



COMMERCIAL REF. CODE	WEIGHT (kg)	WIDTH (mm)	LENGTH* (mm)	MAXIMUM CAPACITY (kg)	MACHINE RANGE					
					COMP	MC	MF	STAB	HC	ROTO
A1230B	125	400	3225	400	●	-	-	-	-	-
NEW A1225B	185	460	5000	500	-	-	-	-	-	●
A1200B	112	400	3225	600	●	●	●	●	-	●
A1220B	148	450	3710	900	-	-	-	-	●	●
A1210B	120	440	1910	1500	●	●	●	●	-	●

*carriage – hook centre distance

REQUIREMENTS	OPTIONS	LIMITATIONS
-	Fly jib transport equipment	-



Fly jib with winch

Ideal for lifting, transport and positioning of suspended loads

FEATURES

- ✓ Type-approved safety hook block fitted with safety tang slewing over 360°.
- ✓ High stiffness, low-weight trellis structure
- ✓ Several hook travels are available based on model
- ✓ Load limiter fitted as standard



COMMERCIAL REF. CODE	WEIGHT (kg)	LENGTH* (mm)	MAX HOOK TRAVEL (m)	MAXIMUM CAPACITY (kg)	MACHINE RANGE					
					COMP	MC	MF	STAB	HC	ROTO
A1300B	205	3535	28	600	●	●	●	●	-	●
A1330B	215	3535	28	400	-	-	-	-	-	-
A1310B	288	1975	30	1500	●	●	●	●	-	●
A1320B	305	3865	23	900	-	-	-	-	●	●
A1215B	290	1550	35	2000	-	-	-	●	-	●
A1321B	330	2000	35	2000	-	-	-	-	●	●

*carriage – hook centre distance

REQUIREMENTS	OPTIONS	LIMITATIONS
-	Fly jib transport equipment	-

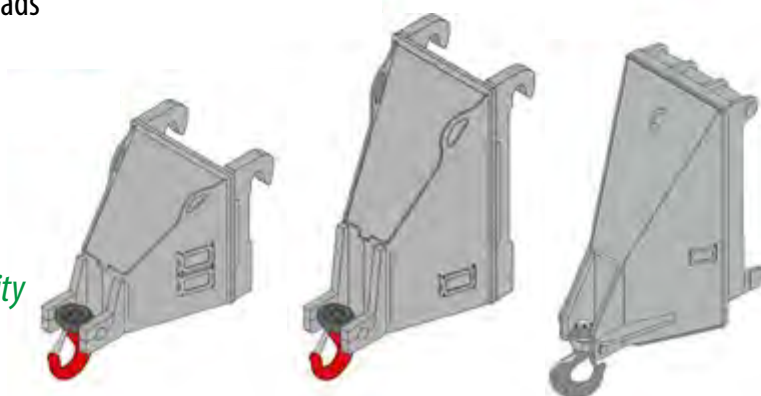


Crane hook

Attachment designed for lifting and handling suspended loads

FEATURES

- ✓ Ideal for the construction and industry sectors
- ✓ Type-approved safety hook fitted with safety tang slewing over 360°.
- ✓ Compact attachment
- ✓ Possibility of reaching the machine's maximum capacity



COMMERCIAL REF. CODE	WEIGHT (kg)	LENGTH* (mm)	MAXIMUM CAPACITY (kg)	MACHINE RANGE					
				COMP	MC	MF	STAB	HC	ROTO
A1000	100	560	5000	●	●	●	●	-	●
A1001	148	560	7500	-	-	-	-	●	●
A1003	320	675	12000	-	-	-	-	●	-

*carriage – hook centre distance

REQUIREMENTS	OPTIONS	LIMITATIONS
-	-	-

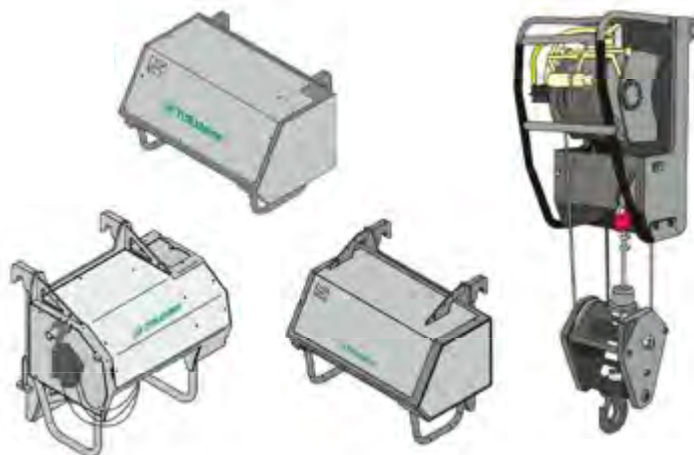


Hydraulic winch on carriage

Attachment designed for lifting suspended loads

FEATURES

- ✓ Fitted with an idler system to ensure cable-drum adherence
- ✓ Support available for transporting a winch on the machine (only for certain models - optional)
- ✓ Hook speed between 28 and 11 m/min
- ✓ Simplified maintenance



COMMERCIAL REF. CODE	WEIGHT (kg)	WIDTH (mm)	MAX HOOK TRAVEL (m)	MAXIMUM CAPACITY (kg)	MACHINE RANGE					
					COMP	MC	MF	STAB	HC	ROTO
A2765	575	1230	35	4000	●	●	●	●	-	●
A2766	575	1230	35	4500	-	-	-	●	-	●
A2767B	570	1230	16	5000	-	-	-	-	●	●
A2768	606	1230	24-16*	4000-6000*	-	-	-	-	●	●
A2772B	-	880	13	10000	-	-	-	-	●	-
A2769	600	1230	35-24*	4500-6750*	-	-	-	-	●	●

*dual towing/triple towing

REQUIREMENTS	OPTIONS	LIMITATIONS
-	Winch transport equipment (only for certain machine models)	-

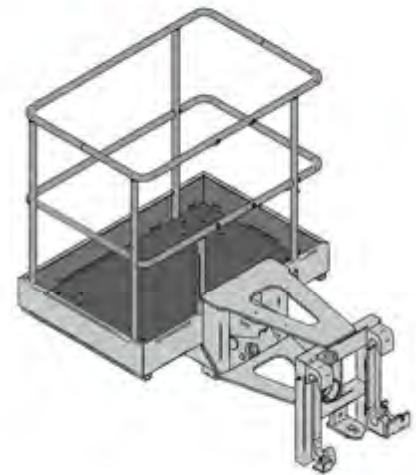


Fixed width platform

Platform designed for safe lifting of 2 people

FEATURES

- ✓ *Maximum safety*
- ✓ *Non-slip floor*
- ✓ *Easy access to work level*
- ✓ *Equipped with a load-sensing device with pre-alarm and alarm*



COMMERCIAL REF. CODE	WEIGHT (kg)	WIDTH (mm)	MAXIMUM CAPACITY (kg)	PERSON	MACHINE RANGE					
					COMP	MC	MF	STAB	HC	ROTO
A1740.1	230	1140	200	2	●	●	●	●	-	-
A1740A.1	240	1140	200	2	-	-	-	-	●	-
A1741.1	230	1140	300	2	-	-	-	●	-	●
A1741A.1	225	1140	300	2	-	-	-	-	●	●

REQUIREMENTS	OPTIONS	LIMITATIONS
Provision for platform	-	not compatible with radial wheels. The combination of an overhead working platform to a machine must be expressly authorized by Merlo SPA

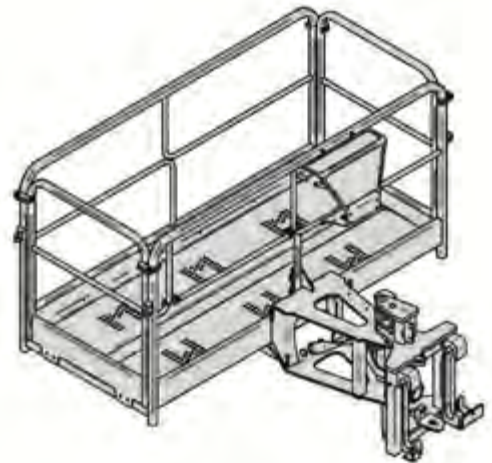


Fixed width slewing platform

Platform designed for safe lifting of two/three people

FEATURES

- ✓ *Hydraulically operated platform side rotation*
- ✓ *Equipped with control panel for managing machine and attachment movements*
- ✓ *Easy access to the platform area*
- ✓ *Version available with upper guard*



COMMERCIAL REF. CODE	WEIGHT (kg)	WIDTH (mm)	MAXIMUM CAPACITY (kg)	PERSON	MACHINE RANGE					
					COMP	MC	MF	STAB	HC	ROTO
A1829.1	670	4000	1000	3	-	-	-	●	-	●
A1742.1	410	2300	300	3	-	-	-	●	-	●
A1742A.1	410	2300	300	3	-	-	-	-	●	●
A1834.1*	460	2380	300	3	-	-	-	●	-	●
A1834A.1*	480	2380	300	3	-	-	-	-	●	●

*version with upper guard (A1834.1, A1834A.1)

REQUIREMENTS	OPTIONS	LIMITATIONS
Provision for platform	-	The combination of an overhead working platform to a machine must be expressly authorized by Merlo SPA

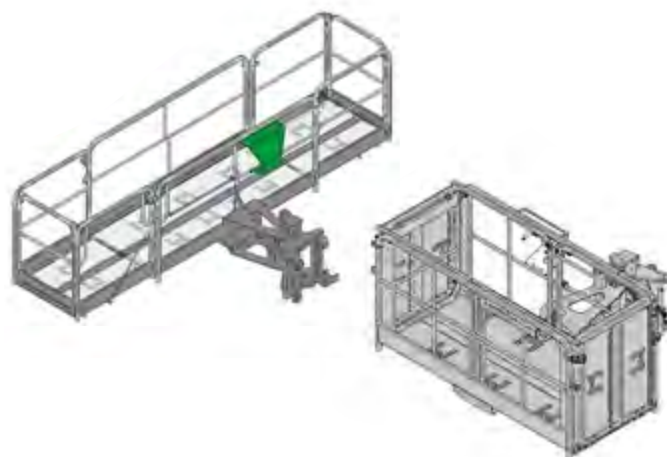


Extensible Slewing platform

Platform designed for safe lifting of two/three people

FEATURES

- ✓ *Lightweight structure to provide larger work area*
- ✓ *Hydraulically operated platform side rotation*
- ✓ *Manual opening of the two extending structures, performed from inside and at height*
- ✓ *Load limiter fitted as standard*



COMMERCIAL REF. CODE	WEIGHT (kg)	WIDTH (m)	MAXIMUM CAPACITY (kg)	PERSON	MACHINE RANGE					
					COMP	MC	MF	STAB	HC	ROTO
A1827.1	510	2,3-4,5	300	3	-	-	-	●	-	●
A1827A.1	578	2,3-4,5	300	3	-	-	-	-	●	●
A1827B.1	645	2,3-4,5	300	3	-	-	-	-	●	-
A1831.1	530	2,3-4,5	800	3	-	-	-	●	-	●
A1831A.1	566	2,3-4,5	800	3	-	-	-	-	●	●
A1828.1	530	2,3-5	300	3	-	-	-	●	-	●
A1828A.1	566	2,3-5	300	3	-	-	-	-	●	●

REQUIREMENTS	OPTIONS	LIMITATIONS
Provision for platform	-	The combination of an overhead working platform to a machine must be expressly authorized by Merlo SPA



Fixed width slewing platform with front opening

Platform designed for safe lifting of two/three people

FEATURES

- ✓ Ideal for work at height
- ✓ Hydraulically operated platform side rotation
- ✓ Equipped with control panel for managing machine and attachment movements
- ✓ Tip-over front protection



COMMERCIAL REF. CODE	WEIGHT (kg)	WIDTH (mm)	MAXIMUM CAPACITY (kg)	PERSON	MACHINE RANGE					
					COMP	MC	MF	STAB	HC	ROTO
A1743.1	555	2400	800	3	-	-	-	●	-	●
A1743A.1	525	2400	800	3	-	-	-	-	-	●

REQUIREMENTS	OPTIONS	LIMITATIONS
Provision for platform	-	Not for sale in France. The combination of an overhead working platform to a machine must be expressly authorized by Merlo SPA



Aerial work platform with panels handling device

Attachment designed for handling and positioning glass panels

FEATURES

- ✓ Fitted with ball-joint boom for suction pads
- ✓ Complete with two electrical sockets for using electrical equipment
- ✓ Removable control panel
- ✓ Side extensions available



COMMERCIAL REF. CODE	WEIGHT (kg)	WIDTH (mm)	MAXIMUM CAPACITY (kg)	PERSON	MACHINE RANGE					
					COMP	MC	MF	STAB	HC	ROTO
A1833.1	710	1725	700	2	-	-	-	-	-	●

REQUIREMENTS	OPTIONS	LIMITATIONS
Provision for platform Pre-arrangement for panel fitting	Side extensions	The combination of an overhead working platform to a machine must be expressly authorized by Merlo SPA



Space platform

Platform designed for safe lifting of two people

FEATURES

- ✓ Allows use in a broad range of situations
- ✓ Telescopic platform boom
- ✓ Negative and positive operativity
- ✓ Rotation on carriage axis by +180°/-130°



COMMERCIAL REF. CODE	WEIGHT (kg)	WIDTH (mm)	MAXIMUM CAPACITY (kg)	OPERATIVITY (m)	MACHINE RANGE					
					COMP	MC	MF	STAB	HC	ROTO
A1873.1	615	1265	200	+11/-9	-	-	-	●	-	●
A1873A.1	615	1265	200	+11/-9	-	-	-	-	-	●

REQUIREMENTS	OPTIONS	LIMITATIONS
Provision for platform	-	The combination of an overhead working platform to a machine must be expressly authorized by Merlo SPA



Bricks handler

Attachment ideal for handling materials such as bricks and building blocks

FEATURES

- ✓ Ideal for every kind of industrial sector
- ✓ Access door to loading area fitted with closure lock
- ✓ Lightweight, sturdy structure
- ✓ It is compatible with ZM2 and ZM3 carriages



COMMERCIAL REF. CODE	WEIGHT (kg)	WIDTH (mm)	MAXIMUM CAPACITY (kg)	MACHINE RANGE					
				COMP	MC	MF	STAB	HC	ROTO
A1900	200	1200	1000	●	●	●	●	●	●

REQUIREMENTS	OPTIONS	LIMITATIONS
-	-	Only to be used for carrying materials .

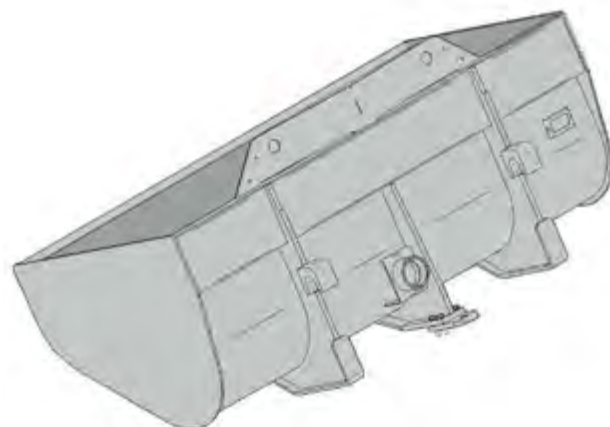


Materials Container

Ideal for handling materials

FEATURES

- ✓ Ideal for every kind of industrial sector
- ✓ Specific attachment for Roto range
- ✓ Easy material loading/unloading
- ✓ Lightweight, sturdy structure



COMMERCIAL REF. CODE	WEIGHT (kg)	WIDTH (mm)	LOAD CAPACITY (t)	MAXIMUM CAPACITY (kg)	MACHINE RANGE					
					COMP	MC	MF	STAB	HC	ROTO
A0844	410	2000	1250	1500	-	-	-	-	-	●
A0849	410	2000	1250	1500	-	-	-	-	-	●

REQUIREMENTS	OPTIONS	LIMITATIONS
-	-	-



Double log clamp

Clamp designed to handle trunks, forestry and agricultural work

FEATURES

- ✓ High-strength
- ✓ Independent hold booms
- ✓ Easy to use: single hydraulic command
- ✓ High manoeuvrability



COMMERCIAL REF. CODE	WEIGHT (kg)	WIDTH (mm)	MAXIMUM CAPACITY (kg)	DIAMETER MIN - MAX (mm)	MACHINE RANGE					
					COMP	MC	MF	STAB	HC	ROTO
A2200	590	1215	7000	150-1000	●	●	●	●	●	●

REQUIREMENTS	OPTIONS	LIMITATIONS
-	-	-



Bin handler

Attachment specifically designed for waste bins

FEATURES

- ✓ It allows the bin to be moved and emptied safely
- ✓ Equipped with a stopper pin for proper locking
- ✓ Equipped with an enable light for allow the tilting movement under safe conditions
- ✓ Simple and light structure



COMMERCIAL REF. CODE	WEIGHT (kg)	MAXIMUM CAPACITY (kg)	BIN LENGTH (mm)	TILTING ANGLE (°)	MACHINE RANGE					
					COMP	MC	MF	STAB	HC	ROTO
A2211	330	300	1250	125	●	●	-	●	-	●

REQUIREMENTS	OPTIONS	LIMITATIONS
-	-	-



Pipe handler

Equipment designed for safely handling pipes of different sizes

FEATURES

- ✓ Pipes range Ø 60 – Ø 700 mm
- ✓ Pads in red adiprene for better handling
- ✓ Separate control of pads and grapple for safe tightening
- ✓ Light weight structure to increase capacity and visibility



COMMERCIAL REF. CODE	WEIGHT (kg)	WIDTH (mm)	FORK LENGTH (mm)	MAXIMUM CAPACITY (kg)	MACHINE RANGE					
					COMP	MC	MF	STAB	HC	ROTO
07S574A	820	2000	1200	4300	-	-	-	-	●	-

REQUIREMENTS	OPTIONS	LIMITATIONS
-	-	-



  **Tyre handler**

Equipment designed to speed up tyre maintenance process

FEATURES

- ✓ 360° degree clamp rotation
- ✓ Able to handle tyres up to 4000 mm
- ✓ Pads designed to improve grip
- ✓ Maximum capacity 5000 kg



COMMERCIAL REF. CODE	WEIGHT (kg)	WIDTH (mm)	TYRE DIAMETER (mm)	MAXIMUM CAPACITY (kg)	MACHINE RANGE					
					COMP	MC	MF	STAB	HC	ROTO
12S552	1450	2188-3290	1800-3100	2000	-	-	-	●	-	-
06S629B	1657	3638-5120	2000-4000	5000	-	-	-	-	●	-

REQUIREMENTS	OPTIONS	LIMITATIONS
-	-	-



Cylinder Handler

Handler specific for big cylinders

FEATURES

- ✓ Able to handle a different range of cylinders
- ✓ 4 different movements (gripper rotation, gripper opening and closing, slider sideshift translation and saddle angle movement)
- ✓ 3 different gripping systems to easily adapt to every cylinder
- ✓ Can be remotely controlled from the ground



COMMERCIAL REF. CODE	WEIGHT (kg)	MAX BOOM CAPACITY IN VERTICAL POSITION (kg)	DIAMETER Ø MAX (mm)	MAX PRESSURE (bar)	MACHINE RANGE					
					COMP	MC	MF	STAB	HC	ROTO
18S505A	1750	7500	419 (16,5") 343 (13,5") 330 (13")	250	-	-	-	-	●	-

REQUIREMENTS	OPTIONS	LIMITATIONS
-	Max cylinder diameter depends on type of grapple	-



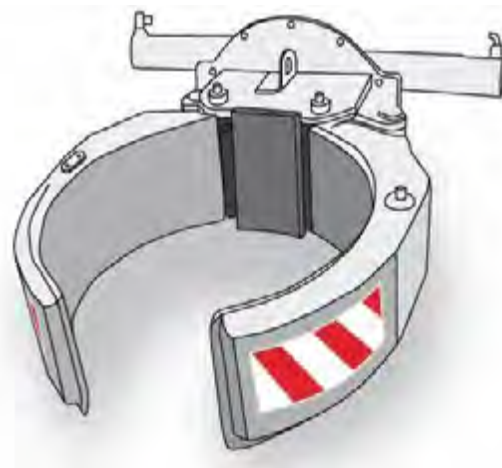



Drum clamp

Attachment for pick-up and handling of drums and similar materials

FEATURES

- ✓ *Ideal for every kind of industrial sector*
- ✓ *360° rotary clamp*
- ✓ *Handling of drums measuring 600 to 700 mm in diameter*
- ✓ *Easy to use*



COMMERCIAL REF. CODE	WEIGHT (kg)	BARREL DIAMETER MAX-MIN (mm)	MAXIMUM CAPACITY (kg)	MACHINE RANGE					
				COMP	MC	MF	STAB	HC	ROTO
A2210	275	600-700	600	●	●	●	●	-	●

REQUIREMENTS	OPTIONS	LIMITATIONS
Pre-arrangement for 2-function attachment	-	-

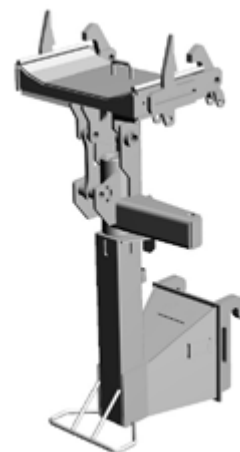


Tunnel ring holder boom

Attachment specific for handling tunnel rings

FEATURES

- ✓ Safely clenching and transport of tunnel rings
- ✓ Adjustable wedges for ring-stop
- ✓ Equipped with a locking device for the ring
- ✓ 75° degree clamp rotation to reduce frontal encumbrance



COMMERCIAL REF. CODE	WEIGHT (kg)	HEIGHT (mm)	WIDTH (mm)	MACHINE RANGE					
				COMP	MC	MF	STAB	HC	ROTO
A2414	380	1695	924	-	-	-	●	-	●

REQUIREMENTS	OPTIONS	LIMITATIONS
-	-	-

Merlo precision and technology

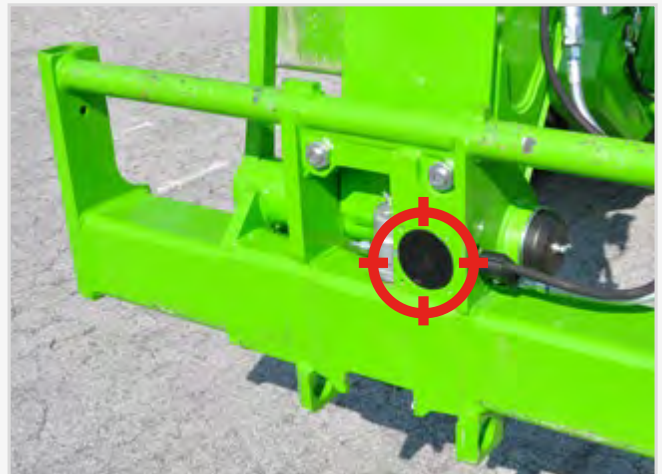
Dynamic load control

The Merlo Group considers safety as an absolutely essential value and this is why it invented the M CDC system. The objective is to allow every operator to work in total safety by fully exploiting the potential of the telehandler and the attachment used. The Merlo CDC system means that the handler has automatic recognition of the attachment fitted and consequently calibrates its performance in relation to specific load charts. The operator can check at any time the dynamic equilibrium of the vehicle, thanks to the traffic light on the front upright. For manoeuvres that may give rise to a telehandler stability risk, the M CDC system will block the boom and prevent any further movements that may worsen the situation.

Automatic recognition of the attachment



Sensor on the attachment



Sensor on the carriage

The original MERLO attachments intended to be introduced in countries belonging to the European Union are declared to be compliant with Directive 2006/42/EC. It should be noted that the responsibility arising from the installation and use of NON original Merlo attachments on machines manufactured by Merlo SPA lies entirely with the installer and with the user and not Merlo SPA.



Note





ATTACHMENTS

The data, features and illustrations contained in this document are for indicative purposes only, and are not binding. Merlo Spa pursues a policy of continual research and development, and as such, our products may feature characteristics that differ from those described or may be subject to modification without prior notice. The products illustrated may include optional equipment.



MERLO S.P.A.

Via Nazionale, 9 - 12010 S. Defendente di Cervasca - Cuneo - Italia

Tel. +39 0171 614111 - Fax +39 0171 684101

www.merlo.com - info@merlo.com

Y497ENG
1019