

Specification

1	Model	Specification	ECH8-4500	
2	Rated Capacity	Kg	9000	
3	Load Centre	mm	1220	
4	Max.Stacking layer		8	
5	Type of container	ft	20/40	
6	Lift Height	mm	19000	
7	Mast tilting angle	°	2//4	
8	Sidesway	mm	±600	
9	Min. turning radius	mm	6000	
10	Overall Dimension	Length	mm	6655
11		Width	mm	6050
12		Overall height	Driver's cab	mm
13	Mast		mm	11800
14	Wheelbase	mm	4500	
15	Tread	Front	mm	3290
16		Rear	mm	2300
17	Tyre	Front		14.00-24-24PR
18		Rear		14.00-24-24PR
19	Speed	Travel (Laden/Unladen)	km/h	30/30
20		Lifting (Laden/Unladen)	mm/sec	580/600
21		Lowering (Laden/Unladen)	mm/sec	≤600/≥300
22	Max.Drawbar pull (Laden)	KN	176	
23	Max.Gradeability (Laden)	%	28	
24	Self weight	Kg	40000	

Maximal Forklift (Zhejiang) Co.,Ltd.

Address

No.1 Jinxin Road,Lushan Industrial area,
Fuyang,Zhejiang China

Tel 0086 571 28001570

Fax 0086 571 28001569

Website www.maxspecialtruck.com

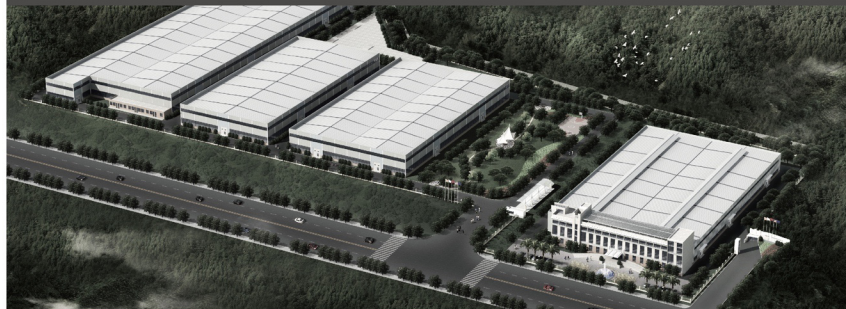
Email info@maxforklift.com

For service
service@maxforklift.com

For spare parts
parts@maxforklift.com

All rights reserved.
Any doubt,please contact us.

We work for maximal



**MAXIMAL
FORKLIFT**

All the data on the catalogue is just
for your reference. Maximal reserve
the right for update or amendment
when necessary.



Authorized dealer stamp



M Series Truck

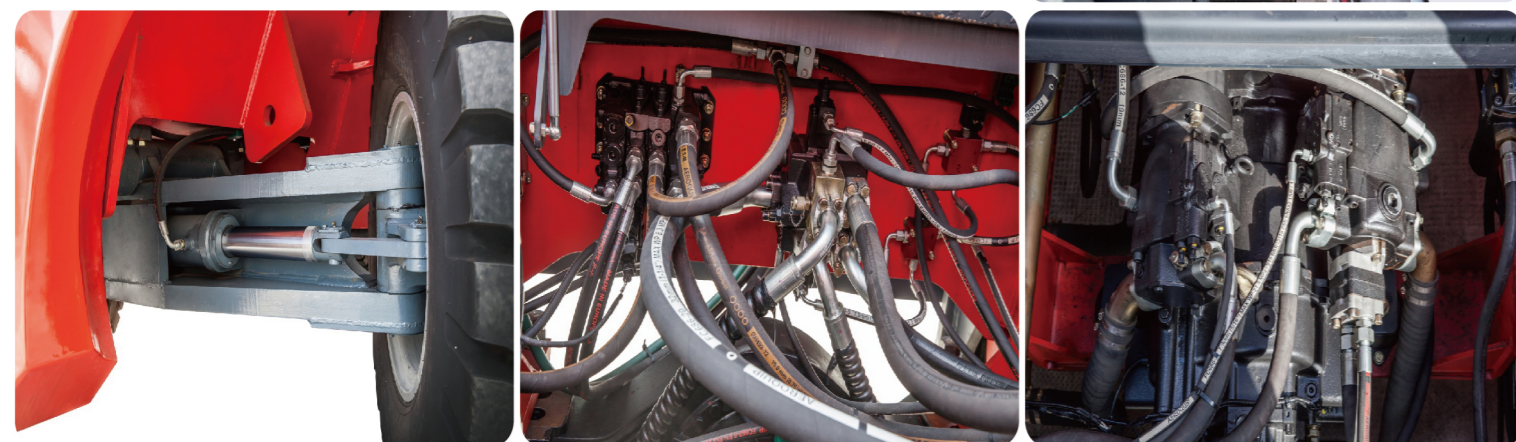
Empty Container Handler 9.0 Ton





Main features

- Humanization designed Cabin with wide and clear view, equipped with adjustable import leather seat, much comfort, with little noise inside.
- Anqing rear axle adopts good quality steel, with skillful welding, excellent performance, and low cost maintenance.
- Parker hydraulic brand from America for hydraulic system parts, with impact resistant and low noise, stable and reliable performance.



Main Components



Engine

Model: VOLVO TAD 851VE
Rated output: 185kw/2200r/min
Speed: 2200r/min
No. Of cylinder: 6-inline
Rated torque: 1100Nm/1500rpm/min
Emission standard: Euro III
Four-stroke engine, turbocharging, central water cooling, EFI electronic control, with full diagnosis capabilities, energy saving, low noise, easily maintenance

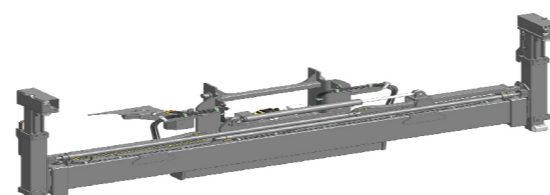
Transmission

DANA 340TE17313-55 transmission
Gear shifting front/rear: 3/3
Forward & reverse gear: AMT, CVT
Stable transmission, little maintenance cost, low breakdown rate and quick service.



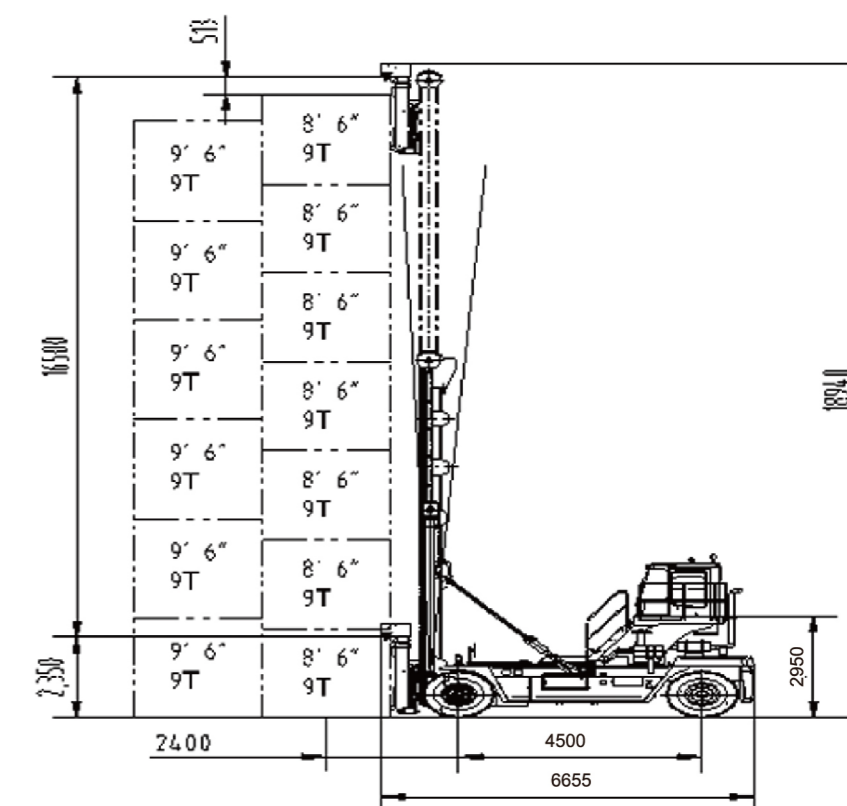
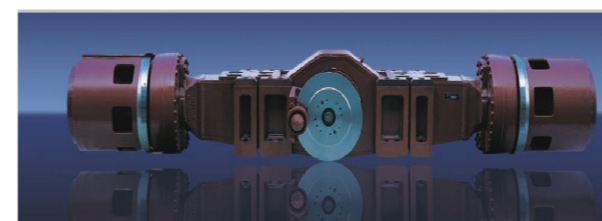
Spreader

Sweden Spreader 588TB-15001
Sidesway: ±800mm
Extension: 20'~40'
Max. Load: ≥9000KG
Suitable for container international standard 20'~40', operational safety and stable, high efficiency, reliable performance, integrated circuit control, easily maintenance with low cost

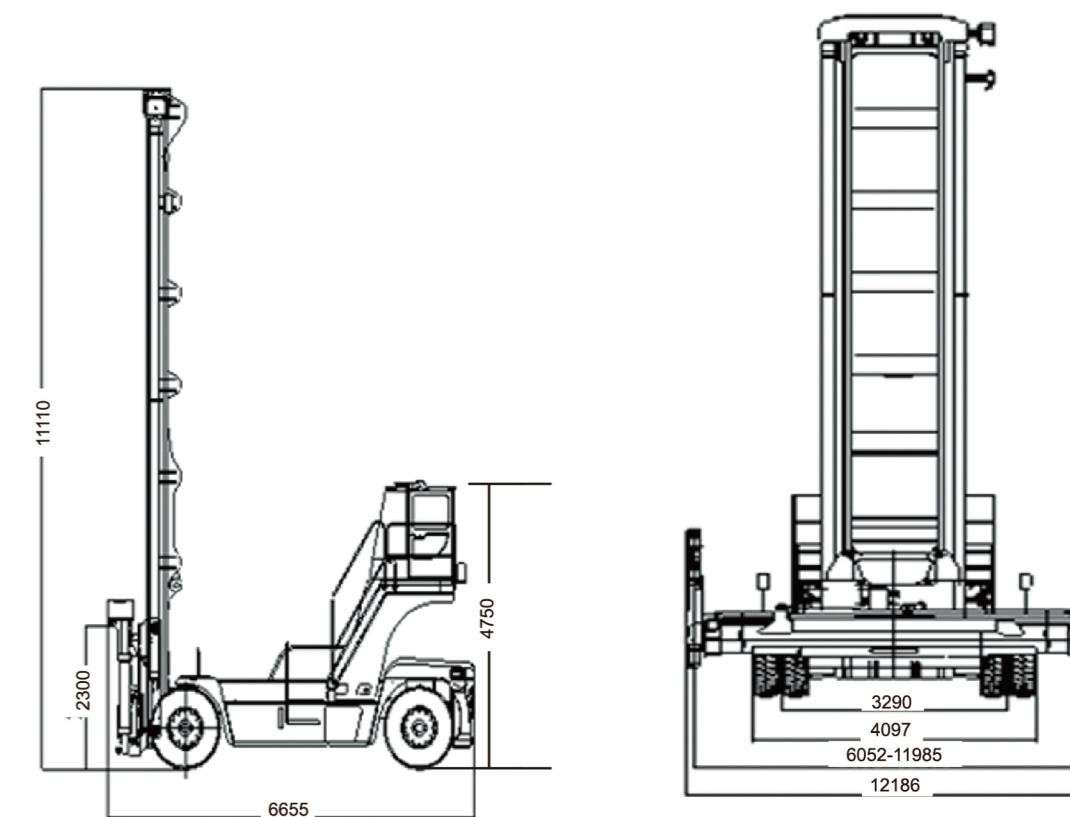


Axle

German KESSLER drive Axle D81PL489
Transmission type: main reducing gear + differential gear + wheel reduction gear.
Welded type bridge, rigid and high strength.
Round edge wet multistage disc brake, maintenance free.



Load chart



Dimension drawing