



# M Series 1.5-compact 4.0t Internal Combustion Forklift



M Series Forklift Truck

# maximal



**Maximal Forklift (Zhejiang) Co., Ltd**

**Address** No.1, jinxin Road, Lushan Industrial area, Fuyang, Zhejiang China

**Tel** 0086-571-28001570  
0086-571-28935028  
0086-571-28979902

**Fax** 0086-571-28001569

**Email**

For sales  
[info@maxforklift.com](mailto:info@maxforklift.com)  
For spare parts  
[parts@maxforklift.com](mailto:parts@maxforklift.com)

All rights reserved.

If any doubt, please contact us.



MAXIMAL FAMILY



*We work for maximal*



# Maximal Company Introduction



Established in Feb. 2006, Maximal Forklift (zhejiang) Co., Ltd, is located in Lushan Industry Area with convenient transportation. Maximal specializes in material handling equipment designing and manufacturing.

Maximal Company total floor area is 133,334 m<sup>2</sup>, investment RMB420 million, factory designed production capacity is 30000 units per year.

Currently Maximal employs 500 staffs, with more than 230 professional and technical personnel, more than 70 Technical R&D personnel. Maximal gained 7 national invention patents, more than 70 utility model and appearance patents.

Maximal owns advanced parts processing center, robot welding equipments, parts automatic hoist conveyor lines, coating lines, assembly lines, forklifts performance test lines, parts test-bed and ERP information management system.

Maximal current product range covers 4 series, including 1.5-compact 1.2T industrial forklift, 1.8-5.0T rough terrain forklift, 13.5-32.0T heavy duty forklift & Port machinery and warehouse equipment.

Maximal forklifts received strong public recognition for their modern and striking appearance, high production quality, safety standard and low cost of operation.

At present, Maximal products sales have covered all provinces in domestic market, exported to over 100 countries and areas. Maximal takes "technology innovation, promoting products structure, improving product quality and service" as the belief, takes internationalization, professionalization and green environmental protection as mission, to build Maximal into the most respectable forklift brand.

## Current products consist of:

### M series:

- 1.5-3.2T/3000-64,000LB capacity diesel forklifts.
- 1.5-7T/3000-14,000LB capacity gasoline/LPG forklifts.
- 4-5T/8000-10,000LB capacity 4-wheel electric forklifts.
- 1.6-2T/3200-4000LB capacity 3-wheel electric forklifts.
- 0.7-1.5T/1400-3000LB capacity VNA truck.
- 1.6T/3200LB capacity Rear drive 3-wheel electric forklifts.
- 2.5T/4000-5000LB capacity dual-drive 4-wheel electric forklifts.
- 2.5T/4000-5000LB capacity cushion tyre forklifts.
- 1.3-3T/2600-6000LB capacity Omni-Directional electric forklifts.

### A series:

- 2.5-3.5T/4000-7000LB capacity diesel and gasoline/LPG forklifts.

- 1.5-3.5T/3000-7000LB capacity 4-wheel electric forklifts.

- 1.6-2.5T/3200-5000LB capacity electric reach truck.

### Rough Terrain:

- 1.8-3.5T/3600-7000LB capacity compact 4WD rough terrain forklifts.
- 2.5-3.5T/5000-7000LB capacity 4WD rough terrain forklifts.
- 1.8-5.0T/3600-10,000LB capacity 2WD rough terrain forklifts.

### Port Machinery:

- 9T/18,000LB capacity empty container handler.
- 45T/90,000LB capacity reach stacker.

### Side Loader Forklift:

- 3.5T-4.5T/7000-9900LB capacity side loader forklifts.

## M series introduction

The M series is the first generation forklifts, designed by the MAXIMAL engineering team. A world class design is featured as advanced technologies and superior componentry produced by competitive vendors over the world. The finished appearance with safety color design has attracted an audience in local and the world markets.

## Classification of After-sales Service

Classification of After-sales Service classifies customer claims into 3 classes, Warranty 1(W1), Warranty 2(W2), Warranty 3(W3). Different claim class has different after-sales procedures which aims to increase service quality.



Classification of After-sales Service



24-hour fast reply on trucks and parts claims



Ergonomic design



High quality components



Safety operation





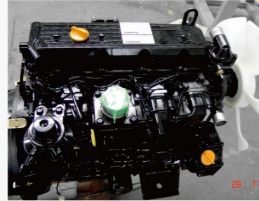
**M SERIES 1.5-1.8t Diesel forklift**

General	1	Model		FD15T-M2 WC3	FD18T-M2 WC3		
		2	Optional type		G(6)3		
	3	Rated capacity	kg	1500	1800		
	4	Load centre	mm	500			
Characteristic&Dimension	5	Lift height	mm	3000			
	6	Free lift height	mm	135			
	7	Fork size	L×W×T	mm	920×100×35	920×100×35	
	8	Fork regulating range	Min./Max.	mm	200/890		
	9	Mast tilt angle	F/R	Deg	6°/12°		
	10	Front overhang	mm	400			
	11	Rear overhang	mm	465	510		
	12	Min. ground clearance(Bottom of mast)	mm	130			
	13	Overall dimensions	Length to face of fork (without fork)	mm	2255	2300	
	14		Overall width	mm	1070		
	15		Mast lowered height	mm	2015		
	16		Mast extended height(with backrest)	mm	3984		
	17	Overhead guard height	mm	2110			
	18	Turning radius(outside)	mm	2060	2105		
19	Min. right angle stacking aisle width (add load length and clearance)	pallet size a12=1000,b12=1200	mm	3665	3705		
		pallet size a12=1200,b12=800	mm	3865	3905		
Performance	20	Speed	Travel(Unladen)	km/h	14.5		
	21		Lifting(Laden)	mm/s	550(WC3)		
	22		Lowering(Laden)	mm/s	450		
	23	Max. Drawbar pull(Laden/unladen)	KN	18/16			
24	Max. Gradeability(Laden)	%	20				
Tyre	25	Tyre	Front	6.50-10-10PR			
	26		Rear	5.00-8-8 PR			
	27	Tread	Front	mm	890		
	28		Rear	mm	920		
	29		Wheelbase	mm	1400		
Weight	30	Self weight	kg	2590	2800		
	31	Weight Distribution	Laden	Front Axle	kg	3520	3950
	32			Rear Axle	kg	570	650
	33		Unladen	Front Axle	kg	1160	1260
	34			Rear Axle	kg	1430	1540
Power&Transmission	35	Battery	Voltage/Capacity	V/Ah	12/90		
	36		Fuel tank capacity	L	50		
	37		Manufacture		China		
	38	Transmission	Type		Powershift		
	39		Stage	F/R	1/1		
	40	Operating pressure(For attachments)	MPa	14.5			

**M SERIES 1.5-1.8t Gasoline&LPG forklift**

General	1	Model		FGL15T-M2 WB3	FGL18T-M2 WB3		
		2	Rated capacity	kg	1500	1800	
	3	Load centre	mm	500			
Characteristic&Dimension	4	Lift height	mm	3000			
	5	Free lift height	mm	135			
	6	Fork size	L×W×T	mm	920×100×35		
	7	Fork regulating range	Min./Max.	mm	200/890		
	8	Mast tilt angle	F/R	Deg	6°/12°		
	9	Front overhang	mm	400			
	10	Rear overhang	mm	465	510		
	11	Min. ground clearance(Bottom of mast)	mm	130			
	12	Overall dimensions	Length to face of fork (without fork)	mm	2255	2300	
	13		Overall width	mm	1070		
	14		Mast lowered height	mm	2015		
	15		Mast extended height(with backrest)	mm	3984		
	16	Overhead guard height	mm	2110			
	17	Turning radius(outside)	mm	2060	2105		
18	Min. right angle stacking aisle width (add load length and clearance)	pallet size a12=1000,b12=1200	mm	3665	3705		
		pallet size a12=1200,b12=800	mm	3865	3905		
Performance	19	Speed	Travel(Unladen)	km/h	14.5		
	20		Lifting(Laden)	mm/s	380		
	21		Lowering(Laden)	mm/s	450		
	22	Max. Drawbar pull(Laden/unladen)	KN	17/15			
23	Max. Gradeability(Laden)	%	20				
Tyre	24	Tyre	Front	mm	6.50-10-10PR		
	25		Rear	mm	5.00-8-8 PR		
	26	Tread	Front	mm	890		
	27		Rear	mm	920		
	28		Wheelbase	mm	1400		
Weight	29	Self weight	kg	2590	2800		
	30	Weight Distribution	Laden	Front Axle	kg	3520	3950
	31			Rear Axle	kg	570	650
	32		Unladen	Front Axle	kg	1160	1260
	33			Rear Axle	kg	1430	1540
Power&Transmission	34	Battery	Voltage/Capacity	V/Ah	12/60		
	35		Fuel tank capacity	L	50		
	36		Manufacture		China		
	37	Transmission	Type		Powershift		
	38		Stage	F/R	1/1		
	39	Operating pressure(For attachments)	MPa	14.5			





### YANMAR

Type: WC3  
 Model: 4TNE92 (Eu IIIA)  
 Rated output: 33kw/2450 rpm  
 Rated torque: 150 N · m /1600 rpm  
 No. of cylinder:4  
 Bore × Stroke: 91 × 110 mm  
 Displacement: 2.659 L



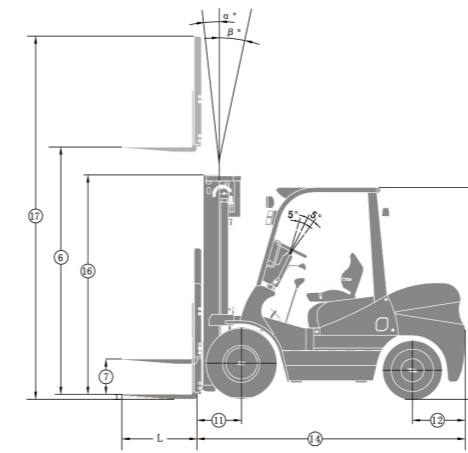
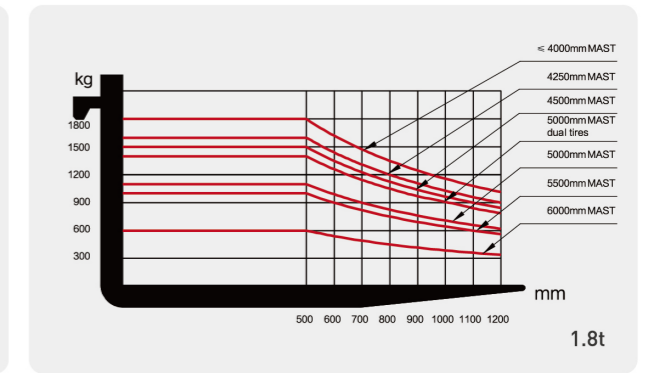
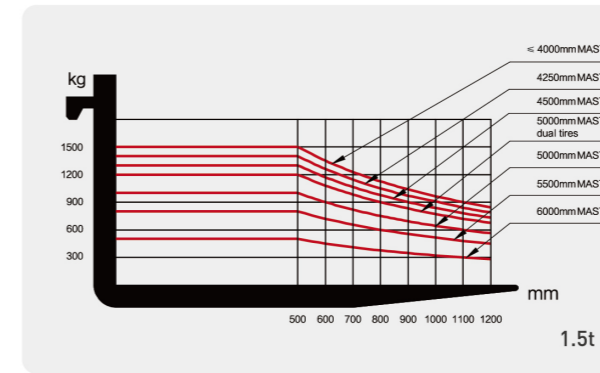
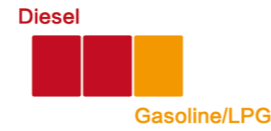
### XINCHAI

Type: G(6)3  
 Model: 4N23G31-007  
 Rated output: 30kw/2600rpm  
 Rated torque: 131N.M (1700-1900) rpm  
 No. of cylinder:4  
 Bore × Stroke: 85 × 100mm  
 Displacement: 2.27L

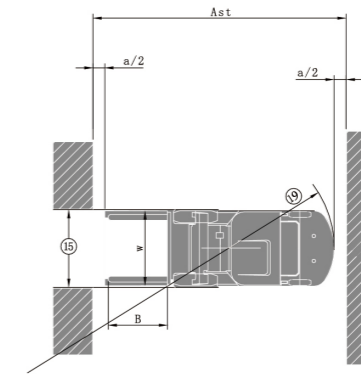


### GCT

Type: WB3  
 Model: K21  
 Rated output: 31.2kw/2250rpm  
 Rated torque: 143.7N · m/1800rpm  
 No. of cylinder:4  
 Bore × Stroke:89 × 83mm  
 Displacement:2.065L



a=200 mm safety clearance  
 $AST=a+⑩+⑨+\sqrt{W^2+(B/2)^2}$




## M SERIES 1.5-1.8t mast:

Type	Model	Max. fork height	Overall height						Free lift		Front Overhang		Tilt range		Capacity load capacity at 500mm			
			Lowered		Extended		Without backrest	with backrest	1.5t	1.8t	FWD	BWD	Single tyre		Double tyre			
			1.5t	1.8t	1.5t	1.8t							1.5t	1.8t	1.5t	1.8t		
2-stage mast	M330	3300	2165	2165	3813	3813	4284	4284	135	135	400	400	6	12	1500	1800	—	—
	M350	3500	2265	2265	4013	4013	4484	4484	135	135	400	400	6	12	1500	1800	—	—
	M370	3700	2365	2365	4213	4213	4684	4684	135	135	400	400	6	6	1500	1800	—	—
	M400	4000	2565	2565	4513	4513	4984	4984	135	135	400	400	6	6	1400	1600	—	—
	M450	4500	2815	2815	5013	5013	5484	5484	135	135	400	400	6	6	1300	1500	—	—
	M500	5000	3065	3065	5513	5513	5984	5984	135	135	400	400	6	6	800	1000	1000	1200
	M550	5500	3365	3365	6013	6013	6484	6484	135	135	400	400	3	6	500	600	800	1000
Full free 2-stage mast	M600	6000	3615	3615	6513	6513	7013	7013	1165	780	400	400	6	12	1500	1800	—	—
	FM300	3000	2015	2015	3513	3513	3984	3984	1415	1030	400	400	6	12	1500	1800	—	—
	FM330	3300	2165	2165	3813	3813	4284	4284	1765	1380	400	400	6	6	1500	1800	—	—
Full free 3-stage mast	FM350	3500	2565	2565	4513	4513	4984	4984	1965	1580	400	400	6	6	1500	1800	—	—
	TFM435	4350	2015	2015	4863	4863	5334	5334	1420	1030	400	400	6	6	1250	1500	—	—
	TFM450	4500	2065	2065	5013	5013	5484	5484	1470	1080	400	400	6	6	1200	1400	—	—
	TFM480	4800	2165	2165	5313	5313	5784	5784	1570	1180	400	400	6	6	1100	1300	—	—
	TFM500	5000	2265	2265	5513	5513	5984	5984	1670	1280	400	400	6	6	950	1200	1150	1300
	TFM540	5400	2390	2390	5913	5913	6384	6384	1795	1405	400	400	3	6	900	1050	950	1100
	TFM600	6000	2615	2615	6513	6513	6984	6984	2020	1630	400	400	3	6	450	550	750	900
TFM650	6500	2830	2830	7010	7010	7484	7484	2235	1845	400	400	3	6	250	300	550	700	




## M SERIES 2.5t IC Forklift


General	1	Model	FD25T-M3WV3	FGL25T-M3WA3		
	2	Type	Diesel	Gasoline&LPG		
	3	Optional Type	WE3/WB3/G(1)3/GK3/G(2)3/GF3	/		
	4	Rated capacity	kg	2500		
	5	Load centre	mm	500		
Characteristic&Dimension	6	Lift height	mm	3000		
	7	Free lift height	mm	160		
	8	Fork size	L×W×T	1070×122×40		
	9	Fork regulating range	Min./Max.	250/1040		
	10	Mast tilt angle	F/R	6°/12°		
	11	Front overhang	mm	475		
	12	Rear overhang	mm	517		
	13	Min. ground clearance(Bottom of mast)	mm	125		
	14	Overall dimensions	Length to face of fork (without fork)	mm	2545	
			Overall width	mm	1150	
			Mast lowered height	mm	2010	
			Mast extended height(with backrest)	mm	4025	
			Overhead guard height	mm	2145	
	18	Turning radius(outside)	mm	2330		
	20	Min. right angle stacking aisle width	Pallet size a12=1000,b12=1200	mm	4005	
			Pallet size a12=1200,b12=800	mm	4205	
	Performance	Speed	Travel(Unladen)	km/h	19	
			Lifting(Laden)	mm/s	510	
			Lowering(Laden)	mm/s	450	
24	Max. Drawbar pull	KN	16			
25	Max. Gradeability(Laden)	%	20			
Tyre	26	Tyre	Front	7.00-12-12 PR		
			Rear	6.00-9-10 PR		
	28	Tread	Front	mm	970	
			Rear	mm	980	
			Wheelbase	mm	1600	
Weight	31		Self weight	kg	3640	
	33	Weight Distribution	Laden	Front Axle	kg	5480
				Rear Axle	kg	660
			Unladen	Front Axle	kg	1470
				Rear Axle	kg	2170
Power&Transmission	36		Battery Voltage/Capacity	V/Ah	12/90	
	37		Manufacture		China	
	38		Type		Powershift	
	39	Transmission	Stage		F/R	
			Operating pressure(For attachments)	MPa	17.5	



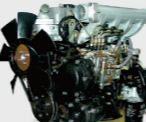
**XINCHAI**  
Type: G(1)3  
Model: 4D27G31-012  
Rated output: 36.8kw/2500rpm  
Rated torque: 156 N·m / 1700-1900rpm  
No. of cylinder:4  
Bore × Stroke:90 × 105mm  
Displacement:2.67L




**DACHAI**  
Type: G(2)3  
Model: CA498(Eu IIIA)  
(Chinese DEUTZ)  
Rated output: 36.9kw/2500 rpm  
Rated torque: 190 N·m / 1800 rpm  
No. of cylinder:4  
Bore × Stroke: 98 × 105 mm  
Displacement: 3.168 L




**DACHAI**  
Type: GK3  
Model: 498  
(Chinese DEUTZ)  
Rated output: 45kw/2500 rpm  
Rated torque: 190 N·m / 1800 rpm  
No. of cylinder:4  
Bore × Stroke: 98 × 105 mm  
Displacement: 3.168 L




**XINCHAI**  
Type:GF3  
Model: C490 (Eu IIIA)  
Rated output:36.8kw/2650rpm  
Rated torque: 156/148N·m/1700-1900rpm  
No. of cylinder:4  
Bore × Stroke:90 × 105  
Displacement:2.67




**YANMAR**  
Type:WE3  
Model:4TNE98 (Eu IIIA)  
Rated output:42.1kw/2300rpm  
Rated torque: 186-206N·m/1700rpm  
No. of cylinder:4  
Bore × Stroke:98 × 110mm  
Displacement:3.318L




**ISUZU**  
Type:WB3  
Model: C240NKFC01 (Eu IIIA)  
Rated output:34.6kw/2500rpm  
Rated torque:139N·m/1800rpm  
No. of cylinder:4  
Bore × Stroke:98 × 102mm  
Displacement:2.369L




**MITSUBISHI**  
Type: WV3  
Model: S4S (Eu IIIA)  
Rated output: 34.4kw/2300rpm  
Rated torque: 182N·m/1800rpm  
No. of cylinder:4  
Bore × Stroke: 94 × 120mm  
Displacement: 3.331L



**GCT**  
Type: WA3  
Model: K25  
Rated output: 37.4kw/2300rpm  
Rated torque: 171.2N·m/1600rpm  
No. of cylinder:4  
Bore × Stroke:89 × 100mm  
Displacement:2.488L



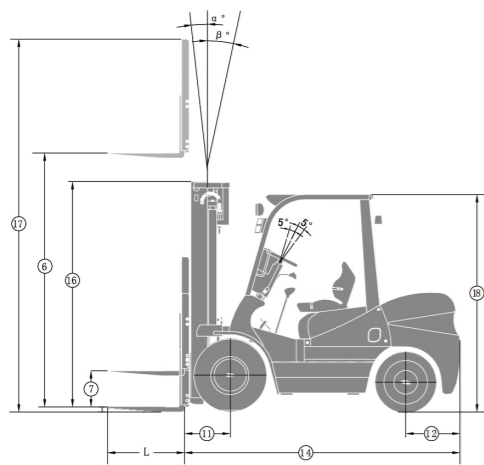
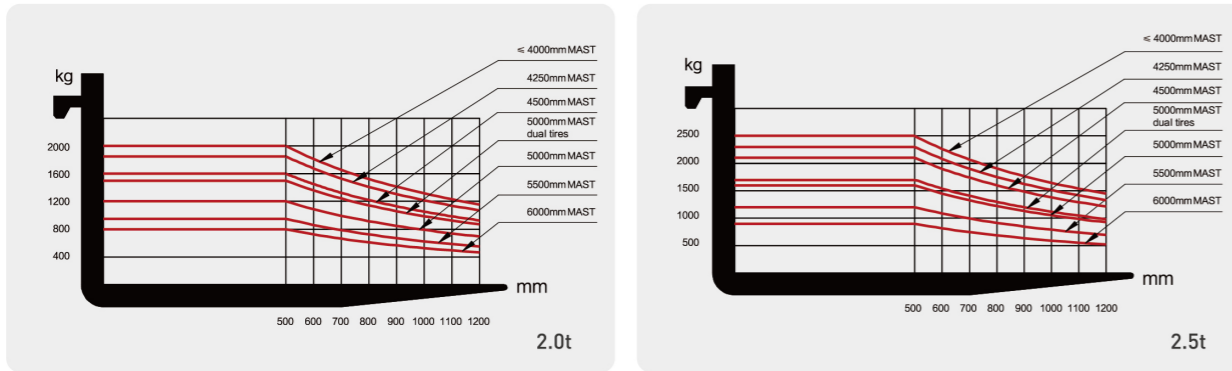
**Diesel**



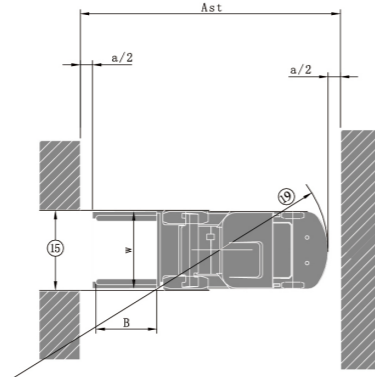
**Gasoline/LPG**

## M SERIES 2.5t mast:

Type	Model	Max. fork height	Overall height			Free lift		Front Overhang	Tilt range		Capacity	
			Lowered	Extended		Without backrest	with backrest		FWD	BWD	load capacity at 500mm	
				2.5t	Without backrest			With backrest			2.5t	2.5t
			mm	mm	mm	mm	mm	mm	Deg	Deg	kg	kg
2-stage mast	M330	3300	2160	3875	4290	160	160	465	6	12	2500	—
	M350	3500	2260	4075	4490	160	160	465	6	12	2500	—
	M370	3700	2360	4275	4690	160	160	465	6	6	2500	—
	M400	4000	2560	4575	4990	160	160	465	6	6	2500	—
	M450	4500	2810	5075	5490	160	160	465	6	6	2100	2400
	M500	5000	3060	5575	5990	160	160	465	6	6	1600	1900
Full free 2-stage mast	M550	5500	3360	6075	6490	160	160	465	3	6	1200	1700
	M600	6000	3610	6575	6990	160	160	465	3	6	900	1400
	TFM300	3000	2010	3590	3990	1420	1020	480	6	12	2500	—
Full free 3-stage mast	TFM330	3300	2160	3890	4290	1570	1170	480	6	12	2500	—
	TFM350	3500	2260	4090	4490	1670	1270	480	6	6	2500	—
	TFM435	4350	2010	4867	5340	1390	1020	485	6	6	2200	2400
	TFM450	4500	2060	5017	5490	1440	1070	485	6	6	2000	2300
	TFM480	4800	2160	5317	5790	1540	1170	485	6	6	1700	2000
	TFM500	5000	2260	5517	5990	1640	1270	485	6	6	1500	1800
	TFM540	5400	2385	5917	6390	1765	1395	485	3	6	1200	1600
TFM600	6000	2610	6517	6990	1990	1620	485	3	6	800	1300	
TFM650	6500	2825	7000	7490	2200	1830	485	3	6	500	1000	



a=200 mm safety clearance  
 $AST = a + \textcircled{11} + \textcircled{12} + \sqrt{W^2 + (B/2)^2}$




### M SERIES 3.0-compact 4.0t Diesel Forklift

General		Model	FD30T-M3WV3	FD35T-M3WV3	FD40T-M3WV3		
1	Model		FD30T-M3WV3	FD35T-M3WV3	FD40T-M3WV3		
2	Type		Diesel	Diesel	Diesel		
3	Optional Type		WE3/WB3/G(1)3/GK3/G(2)3/GF3	WE3/G(5)3/G(1)3/GK3/G(2)3/GF3	WE3/G(5)3/GK3/G(2)3		
4	Rated capacity	kg	3000	3500	4000		
5	Load centre	mm	500	500	500		
6	Lift height	mm	3000	3000	3000		
7	Free lift height	mm	165	170	170		
8	Fork size	L×W×T	mm	1070×122×45	1070×122×50	1070×122×50	
9	Fork regulating range	Min./Max.	mm	250/1100	260/1100	30/1100	
10	Mast tilt angle	F/R	Deg	6°/12°	6°/12°	6°/12°	
11	Front overhang	mm	490	510	510		
12	Rear overhang	mm	518	580	535		
13	Min. ground clearance(Bottom of mast)	mm	140	140	150		
14	Overall dimensions	Length to face of fork (without fork)	mm	2680	2755	2915	
15		Overall width	mm	1210	1210	1410	
16		Mast lowered height	mm	2075	2150	2260	
17		Mast extended height(with backrest)	mm	4140	4140	4140	
18	Overhead guard height	mm	2170	2170	2180		
19	Turning radius(outside)	mm	2450	2510	2715		
20	Min. right angle stacking aisle width	Pallet size a12=1000,b12=1200	mm	4140	4220	4425	
20		Pallet size a12=1200,b12=800	mm	4340	4420	4625	
21	Speed	Travel(Unladen)	km/h	18.5	18.5	18	
22		Lifting(Laden)	mm/s	410	330	430	
23		Lowering(Laden)	mm/s	430	430	425	
24	Max. Drawbar pull	KN	17	17	17		
25	Max. Gradeability(Laden)	%	15	15	15		
26	Tyre	Front		28×9-15-14 PR	28×9-15-14 PR	250-15-16 PR	
27		Rear		6.50-10-10 PR	6.50-10-10 PR	6.50-10-10 PR	
28	Tread	Front	mm	1000	1000	1154	
29		Rear	mm	980	980	980	
30	Wheelbase	mm	1700	1700	1900		
31	Self weight	kg	4280	4700	5050		
32	Weight Distribution	Laden	Front Axle	kg	6500	7250	8240
33			Rear Axle	kg	780	950	810
34		Unladen	Front Axle	kg	1760	1670	2120
35			Rear Axle	kg	2520	3030	2930
36	Battery	Voltage/Capacity	V/Ah	12/90	12/90	12/90	
37	Power&Transmission	Manufacture		China	China	China	
38		Type		Powershift	Powershift	Powershift	
39		Transmission	Stage	F/R	1/1	1/1	1/1
40	Operating pressure(For attachments)	MPa		17.5	17.5	17.5	

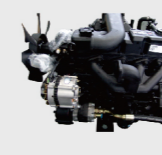
## M SERIES 3.0-3.5t Gasoline&LPG forklift



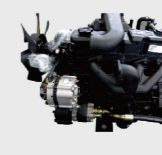
General	1	Model		FGL30T-M3WA3	FGL35T-M3WA3		
	2	Type		Gasoline&LPG	Gasoline&LPG		
	3	Optional Type		/	/		
	4	Rated capacity	kg	3000	3500		
	5	Load centre	mm	500	500		
Characteristic&Dimension	6	Lift height	mm	3000	3000		
	7	Free lift height	mm	165	170		
	8	Fork size	L×W×T	mm	1070×122×45	1070×122×50	
	9	Fork regulating range	Min./Max.	mm	250/1100	260/1100	
	10	Mast tilt angle	F/R	Deg	6°/12°	6°/12°	
	11	Front overhang		mm	490	505	
	12	Rear overhang		mm	518	580	
	13	Min. ground clearance(Bottom of mast)		mm	140	140	
	14	Overall dimensions	Length to face of fork (without fork)	mm	2680	2750	
			Overall width	mm	1210	1210	
			Mast lowered height	mm	2075	2150	
			Mast extended height(with backrest)	mm	4140	4140	
	18	Overhead guard height		mm	2170	2170	
	19	Turning radius(outside)		mm	2450	2510	
	20	Min. right angle stacking aisle width	Pallet size a12=1000,b12=1200	mm	4140	4220	
			Pallet size a12=1200,b12=800	mm	4340	4420	
	Performance	21	Travel(Unladen)		km/h	20	18.5
		22	Speed	Lifting(Laden)	mm/s	420/460	420/360
				Lowering(Laden)	mm/s	430	430/380
23		Max. Drawbar pull		KN	17	17	
24		Max. Gradeability(Laden)		%	20	18	
Tyre	26	Tyre	Front	28×9-15-14 PR			
	Rear		6.50-10-10 PR				
	27	Tread	Front	mm	1000		
	28		Rear	mm	980		
	29		Wheelbase	mm	1700		
30	Self weight		kg	4260/4230	4680/4650		
Weight	31	Weight Distribution	Laden	Front Axle	kg	6460/6450	
			Rear Axle	kg	800/780		
		Unladen	Front Axle	kg	1720/1710		
			Rear Axle	kg	2540/2520		
Power&Transmission	32	Voltage/Capacity		V/Ah	12/60		
	33	Manufacture			China		
	34	Type			Powershift		
	35	Transmission	Stage	F/R		1/1	
	36	Operating pressure(For attachments)		MPa	17.5	17.5	




**XINCHAI**  
Type: G(1)3  
Model: 4D27G31-012  
Rated output: 36.8kw/2500rpm  
Rated torque: 156 N·m / 1700-1900rpm  
No. of cylinder:4  
Bore × Stroke:90 × 105mm  
Displacement:2.67L



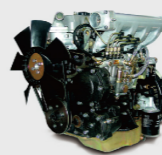
**DACHAI**  
Type: G(2)3  
Model: CA498(Eu IIIA)  
(Chinese DEUTZ)  
Rated output: 36.9kw/2500 rpm  
Rated torque: 190 N·m / 1800 rpm  
No. of cylinder:4  
Bore × Stroke: 98 × 105 mm  
Displacement: 3.168 L




**DACHAI**  
Type: GK3  
Model: 498  
(Chinese DEUTZ)  
Rated output: 45kw/2500 rpm  
Rated torque: 190 N·m / 1800 rpm  
No. of cylinder:4  
Bore × Stroke: 98 × 105 mm  
Displacement: 3.168 L




**XINCHAI**  
Type: G(5)3  
Model: 4D32G31-004  
Rated output: 36.8kw/2400rpm  
Rated torque: 186 N·m / 1600-1800rpm  
No. of cylinder:4  
Bore × Stroke: 98 × 105mm  
Displacement: 3.17L




**XINCHAI**  
Type:GF3  
Model: C490 (Eu IIIA)  
Rated output:36.8kw/2650rpm  
Rated torque: 156/148N·m/1700-1900rpm  
No. of cylinder:4  
Bore × Stroke:90 × 105  
Displacement: 2.67



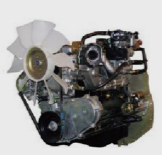
**MITSUBISHI**  
Type:WB3  
Model: S4S (Eu IIIA)  
Rated output:34.4kw/2300rpm  
Rated torque: 182 N·m/1800rpm  
No. of cylinder:4  
Bore × Stroke: 94 × 120mm  
Displacement: 3.331L



**YANMAR**  
Type:WE3  
Model: 4TNE98 (Eu IIIA)  
Rated output:42.1kw/2300rpm  
Rated torque: 186-206N·m/1700rpm  
No. of cylinder:4  
Bore × Stroke:98 × 110mm  
Displacement:3.318L



**ISUZU**  
Type:WB3  
Model: C240NKFC01 (Eu IIIA)  
Rated output:34.8kw/2500rpm  
Rated torque:139N·m/1800rpm  
No. of cylinder:4  
Bore × Stroke:86 × 102mm  
Displacement:2.369L



**GCT**  
Type: WA3  
Model: K25  
Rated output:37.4kw/2300rpm  
Rated torque: 171.2N·m/1600rpm  
No. of cylinder:4  
Bore × Stroke:89 × 100mm  
Displacement:2.488L

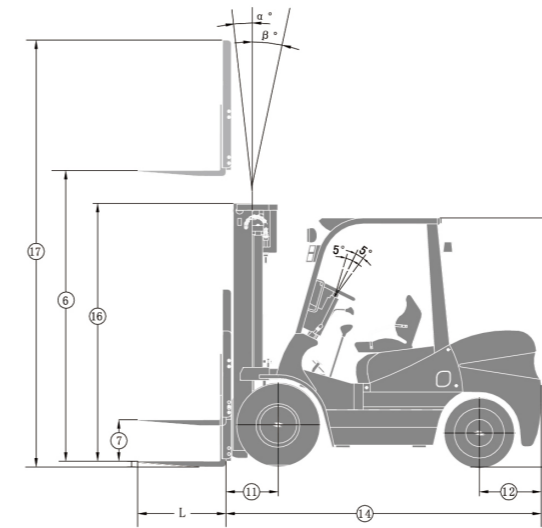
## M SERIES M series 3-3.5t mast:

Type	Model	Max. fork height	Overall height						Free lift				Front Overhang		Tilt range		Capacity			
			Lowered		Extended				Without backrest		with backrest		3t	3.5t	FWD	BWD	load capacity at 500mm			
			3t	3.5t	Without backrest		With backrest		3t	3.5t	Single tyre						Double tyre			
			mm	mm	mm	mm	mm	mm	mm	mm	mm	mm	mm	mm	Deg	Deg	kg	kg	kg	kg
2-stage mast	M330	3300	2225	2300	3940	4000	4400	4400	165	170	165	170	485	505	6	12	3000	3500	—	—
	M350	3500	2325	2400	4140	4200	4600	4600	165	170	165	170	485	505	6	12	3000	3500	—	—
	M370	3700	2425	2500	4340	4400	4800	4800	165	170	165	170	485	505	6	6	3000	3500	—	—
	M400	4000	2625	2700	4640	4700	5100	5100	165	170	165	170	485	505	6	6	3000	3300	—	3500
	M450	4500	2875	2950	5140	5200	5600	5600	165	170	165	170	485	505	6	6	2600	2900	2800	3100
	M500	5000	3125	3200	5640	5700	6100	6100	165	170	165	170	485	505	6	6	2100	2400	2400	2750
Full free 2-stage mast	M550	5500	3425	3500	6140	6200	6600	6600	165	170	165	170	485	505	3	6	1700	1800	2200	2400
	M600	6000	3675	3750	6640	6700	7100	7100	165	170	165	170	485	505	3	6	1300	1400	2000	2200
	FM300	3000	2075	2150	3650	3680	4100	4100	1425	1470	975	1050	495	515	6	12	3000	3500	—	—
	FM330	3300	2225	2300	3950	3980	4400	4400	1575	1620	1125	1200	495	515	6	12	3000	3500	—	—
Full free 3-stage mast	FM350	3500	2325	2400	4150	4180	4600	4600	1675	1720	1225	1300	495	515	6	6	3000	3500	—	—
	TFM435	4350	2075	2150	4950	4990	5450	5450	1475	1510	975	1050	505	520	6	6	2800	3100	2900	3350
	TFM450	4500	2125	2200	5100	5140	5600	5600	1525	1560	1025	1100	505	520	6	6	2500	2800	2700	3000
	TFM480	4800	2225	2300	5400	5440	5900	5900	1625	1660	1125	1200	505	520	6	6	2250	2500	2450	2750
	TFM500	5000	2325	2400	5600	5640	6100	6100	1725	1760	1225	1300	505	520	6	6	2100	2300	2300	2600
	TFM540	5400	2450	2525	6000	6040	6500	6500	1850	1885	1350	1425	505	520	3	6	1650	1800	2100	2300
TFM600	6000	2675	2750	6600	6640	7100	7100	2075	2110	1575	1650	505	520	3	6	1200	1300	1900	2100	
TFM650	6500	2890	2965	7100	7100	7600	7600	2260	2290	1790	2865	505	520	3	6	700	800	1300	1500	

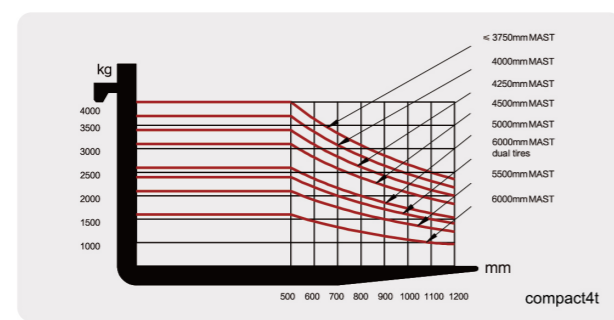
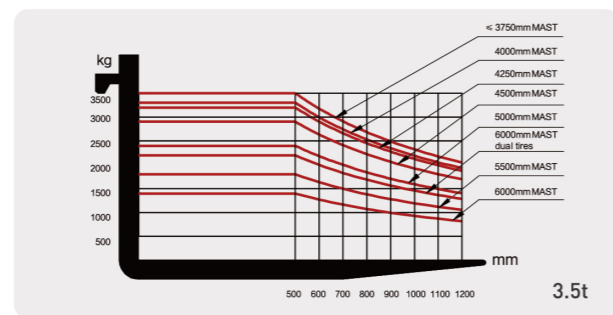
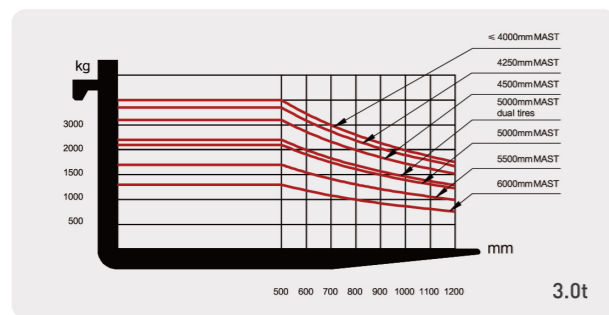
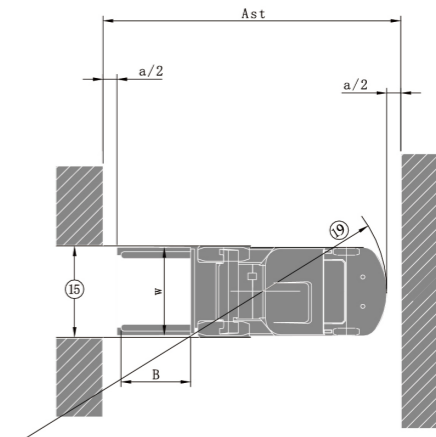


**M SERIES compact4t mast:**

Type	Model	Max. fork height	Overall height				Free lift		Front Overhang compact4t	Tilt range		Capacity	
			Lowered	Extended		Without backrest	with backrest	FWD		BWD	load capacity at 500mm		
				Without backrest	With backrest						Single tyre compact4t	Double tyre compact4t	
		mm	mm	mm	mm	mm	mm	Deg	Deg	kg	kg		
2-stage mast	M330	3300	2410	4120	4400	170	170	505	6	12	4000	—	
	M350	3500	2510	4320	4600	170	170	505	6	12	4000	—	
	M370	3700	2610	4520	4800	170	170	505	6	6	4000	—	
	M400	4000	2810	4820	5100	170	170	505	6	6	3700	4000	
	M450	4500	3060	5320	5600	170	170	505	6	6	3100	3500	
	M500	5000	3310	5820	6100	170	170	505	6	6	2600	3200	
	M550	5500	3610	6320	6600	170	170	505	3	6	2100	2600	
Full free 2-stage mast	FM300	3000	2260	3780	4100	1480	1160	518	6	12	4000	—	
	FM330	3300	2410	4080	4400	1630	1310	518	6	12	4000	—	
	FM350	3500	2510	4280	4600	1730	1410	518	6	6	4000	—	
Full free 3-stage mast	TFM435	4350	2260	5100	5450	1510	1160	530	6	6	3300	3700	
	TFM450	4500	2310	5250	5600	1560	1210	530	6	6	3000	3500	
	TFM480	4800	2410	5550	5900	1660	1310	530	6	6	2700	3200	
	TFM500	5000	2510	5750	6100	1760	1410	530	6	6	2500	3100	
	TFM540	5400	2635	6150	6500	1885	1535	530	3	6	2000	2500	
	TFM600	6000	2860	6750	7100	2110	1760	530	3	6	1500	2300	
TFM650	6500	3075	7250	7600	2320	1970	530	3	6	1100	1900		



a=200 mm safety clearance  
 $AST = a + \textcircled{11} + \textcircled{19} + \sqrt{W^2 + (B/2)^2}$





# COMPANY MEMORABILIA

2005	Dec	Zhejiang Maximal Forklift Co., Ltd was officially established.
2006	Oct	M series forklifts displayed at the 100th Canton fair.
2007	Nov	Maximal phase I project of the new factory finished.
2008	Jan	Structure of electric forklift was further optimized.
	Nov	Maximal was appointed by the General Logistics Department of the People's Liberation Army(PLA) to be supplier for Military Equipment.
2009	Mar	4.0T&5.0T and 8.0-10.0T diesel forklift were launched to enrich M Series.
	May	Maximal started to prepare the R&D of 16.0-18.0T diesel forklift.
2010	Nov	The first 4.5T electric forklift and 25.0T heavy duty forklift were displayed on Shanghai CeMAT.
	Dec	Maximal and Military Transportation University reached
2012		Maximal was honored as "state-level high-tech enterprise".
2013	May	Maximal 2WD 2.5/3.5T Rough Terrain forklift was launched to the market.
	July	Maximal Empty Container Handler was officially developed.
2014	Jun	Maximal electric stackers & pallet trucks were put into market.
	Aug	Maximal 2WD Rough Terrain forklift were extended to 4.0/5.0T.
	Dec	Maximal phase II project was finished.
2015	May	Maximal 3.5T 4WD Rough Terrain forklift was successfully developed. First Reach Stacker successfully was sold in domestic market.
2016	July	Maximal won the Chinese well-known trademark.
	Oct	1.8-3.5T C. 4WD Hydraulic rough terrain forklift was successfully launched.
2018	July	3.5-4.5T Sider-loader forklift was lanuched; Electric forklift with lithium battery started to be developed; 1.6-2.5T A series Reach truck was lanuched.
	June	<b>Hyster-Yale and Maximal officially completed its acquisition, Maximal began a new start.</b>