



BUILT FOR ROUGH TERRAIN



Maximal Rough Terrain
Forklift 1.8-5.0ton

2WD • Compact 4WD • 4WD



Maximal Forklift (Zhejiang) Co., Ltd

Address No.1, jinxin Road, Lushan Industrial
area, Fuyang, Zhejiang China

Tel 0086-571-28001570
0086-571-28935028
0086-571-28979902

Fax 0086-571-28001569

Email

For sales
info@maxforklift.com
For spare parts
parts@maxforklift.com

All rights reserved.
If any doubt, please contact us.



CE CERTIFICATE ISO 14001:2004 ISO 9001:2000



Maximal Rough Terrain Forklift Introduction

2WD

Strong flexibility
in rough terrain

100% differential lock.



Compact 4WD

Maximal original
product replenished
Rough Terrain fields



4WD

Superior performance
in extreme conditions

Traditional technology while
imported key components:
DANA integrated trans-axle,
Sauer Danfoss hydrostatic
system, tilting cabin.



Patented self-designed axle &
transmission, compact size meet
with European standard.



Maximal Rough Terrain Forklift Introduction

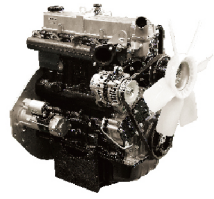
Engine

World renowned brands engine for superior performance.

MITSUBISHI S4S

Rated output 35.3kw/2250rpm >

Rated torque 182N.m/1800rpm >



YANMAR 4TNE98

Rated output 42.1kw/2300rpm >

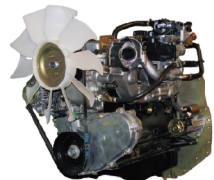
Rated torque 196.3N.m/1700rpm >



ISUZU 6BG1QC

Rated output 82kw/2000rpm >

Rated torque 416N.m/1400-1600rpm >



MITSUBISHI D04EG

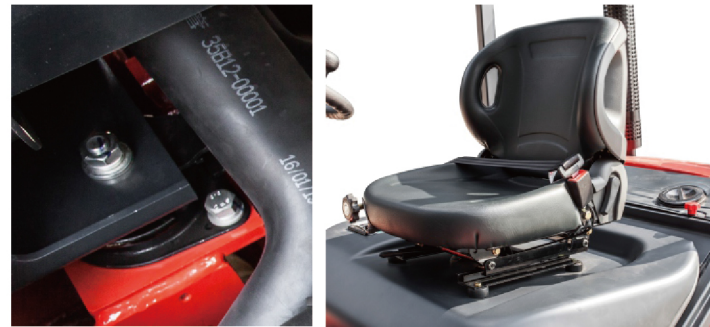
Rated output 36kw/2250rpm >

Rated torque 177N.m/1800rpm >



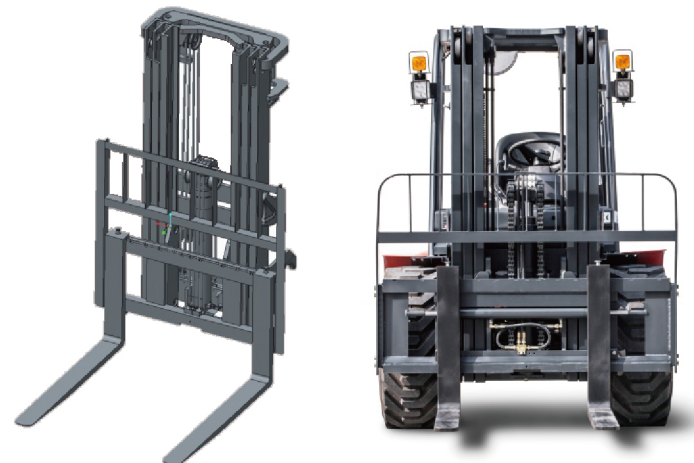
Floating System

A superior full floating overhead guard is installed with rubber damping instead of the traditional rigid design. This greatly reduces machine vibration and offers a smoother ride over rough terrain and reduces operator fatigue.



Wide-view Mast

Wide-view mast provides excellent through-the-mast visibility improving the work efficiency and allowing safe operation of the forklift.



High Quality Tyres

Industrial tyres with a wide footprint giving it greater stability and lift capacity in rough work environments.



High Ground Clearance

Offer greater maneuverability and keep the machine moving in the roughest of applications.



Tilting Overhead Guard (4WD)

Equipped as standard with a tilting overhead guard, to ensure easy access to major components for inspection and service.

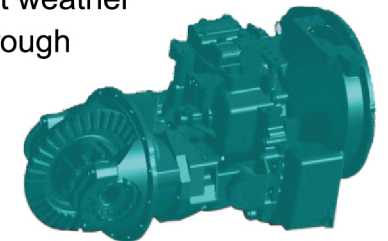
Upward Steering Cylinder (Compact 4WD)

Lay the steering cylinder upward to make the turning radius smaller and rear wheel steering angle bigger.



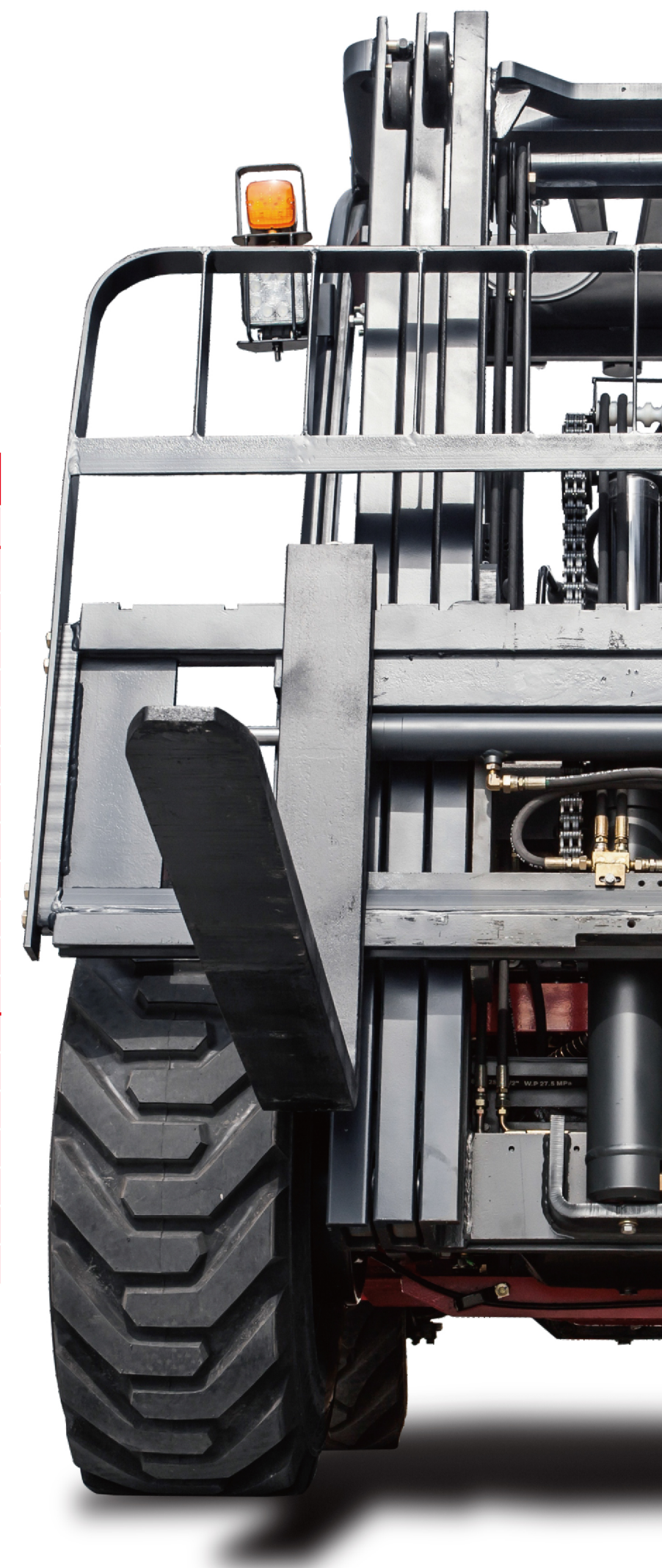
100% Differential Lock (2WD)

Power shift transmission with jaw type 100% differential lock provides ultimate traction during inclement weather conditions and rough operating surfaces.





Our Solution, Your Decision



Body

Performance

	2WD				Compact 4WD			4WD	
YES ● / NO ●	1.8T	2.5T	3.5T	5T	1.8T	2.5T	3.5T	2.5T	3.5T
Floated Overhead Guard		●				●		●	
4WD-2WD Rocker Switch		—				●		●	
Industrial Tyres (F/R)	● / ●	● / ●	● / ●	● / ●	● / ●	● / ●	● / ●	● / ●	● / ●
Suspension Pedal			●			●		●	
Truck Width (mm)	1450	1557.5	1600	2067	1450	1450	1600	1980	1980
Loaded into 20GP Container	●	●	●	●	●	●	●	●	●
External Type Steering Cylinder		●				●		●	
With Prefilter		●				●		●	
LED Lights		Standard				Standard		Standard	
Safety Start System*		Standard				Standard		Standard	
Suspension Seat		Option				Option		Standard	
OPS system		Option				Option		Option	
Engine	YANMAR 4TNE98/MITSUBISHI S4S		YANMAR 4TNE98	ISUZU 6BG1QC	YANMAR 4TNE98 / MITSUBISHI S4S / MITSUBISHI D04EG			YANMAR 4TNE98	
Gradeability	20%	20%	16%	30%	80%/60%	50%	45%	38%	38%
Gradient	11.3°	11.3°	9°	16.7°	38.6°/31°	26.5°	24.2°	20.8°	20.8°
Min. Turning Radius(mm)	2840	2870	2870	3550	3120	3120	3120	4275	4295
Transmission Model	Hydraulic				Hydraulic			Hydrostatic	
Differential Lock Type	Jaw Type Differential Lock				Limited Slip Differential Lock			Limited Slip Differential Lock	
Differential Ratio	100%				45%			45%	

Safety Start System* The truck can't start if any below: 1-operator leaves the seat, 2-seatbelt unfastened, 3-hand brake released, 4-not in N position.

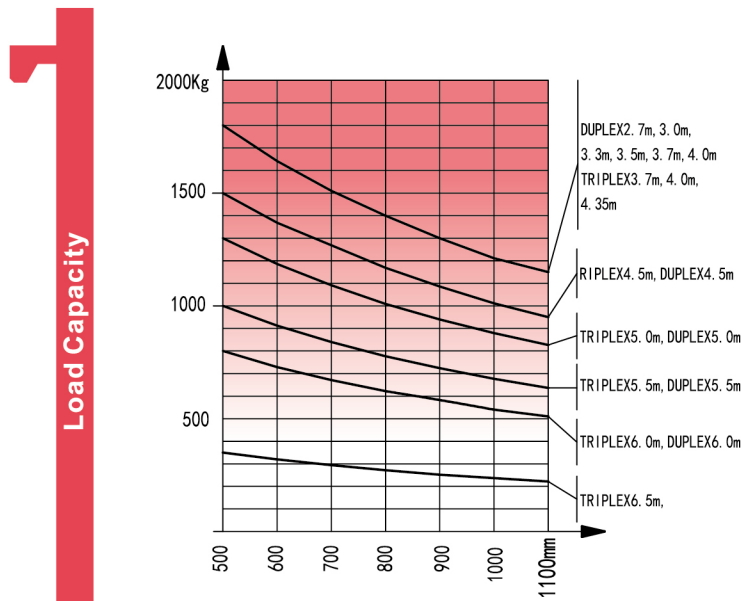
Forklift Specification

2WD 1.8T/2.5T/3.5T								
General	1	Model		FD18T-C2WE3	FD25T-C2WE3	FD35T-C2WE3		
	2	Power type		Diesel				
		Optional type		WV3				
	3	Rated capacity	Kg	1800	2500	3500		
Characteristic&Dimension	4	Load centre	mm	500	500	500		
	5	Lifting height	mm	3000	3000	3000		
	6	Free lift	mm	105	160	165		
	7	Fork size	L×W×T	mm	1070×100×35	1070×122×40	1070×125×45	
	8	Fork regulating range	Min./Max.	mm	200-1315	250-1160	250-1160	
	9	Mast tilt angle	F/R	Deg	10/12	10/12	10/12	
	10	Front overhang		mm	509	586	601	
	11	Rear overhang		mm	520	520	520	
	12	Min.ground clearance(drive steer axle)		mm	270	270	270	
	Overall dimensions	13	Length to face of fork (without fork)	mm	2910	2946	2956	
		14	Overall width	mm	1440	1557.5	1600.5	
		15	Mast lowered height	mm	2148	2265	2330	
		16	Mast extended height (with backrest)	mm	4150	4175	4305	
		17	Overhead guard height	mm	2256.5	2256.5	2276	
	18	Turning radius		mm	2840	2870	2870	
	Min. right angle stacking aisle width	19	Pallet size a ₁₂ =1000,b ₁₂ =1200	mm	4550	4726	4741	
			Pallet size a ₁₂ =1200,b ₁₂ =800	mm	4350	4856	4871	
	Performance	20	Min. right angle stacking aisle width(pallet size a ₁₂ =1200,b ₁₂ =1200)	mm	2560	2870	2870	
		Speed	21	Travel(Laden/Unladen)	Km/h	20/19	20/18	22/22(WE3)/20/18(WV3)
22			Lifting(Laden)	mm/sec	610(WE3)/590(WV3)	570(WE3)/480(WV3)	450(WE3)/385(WV3)	
23			Lowering(Laden)	mm/sec	450	450	450	
24	Max. Drawbar pull(Laden)	KN	15	17(WE3)/15(WV3)	17(WE3)/15(WV3)			
Tyre	25	Max. Gradeability(Laden)	%	20	20	16		
	Tyre	26	Front		12-16.5-12PR	12-16.5-12PR	14-17.5-14PR	
		27	Rear		27×10-12-12PR	27×10-12-12PR	27×10-12-12PR	
	Tread	28	Front	mm	1125	1250.5	1250.5	
29		Rear	mm	1185	1205	1205		
Weight	30	Wheelbase	mm	1880	1880	1880		
	31	Self weight	kg	3700	4465	5180		
	Weight Distribution	Laden	32	Front axle	kg	4730	5990	7725
			33	Rear axle	kg	770	975	955
		Unladen	34	Front axle	kg	1480	1785	2070
			35	Rear axle	kg	2220	2680	3110
36	Battery	V/Ah	12/90					
Power&Transmission	Engine	37	Model	4TNE98-BQFLC	S4S-455			
		38	Manufacture	YANMAR	MITSUBISHI			
		39	Rated output/r.p.m.	Kw	42.1/2300	35.3/2300		
		40	Rated torque/r.p.m.	N.m	186-206/1700	170±8/1700		
		41	No. of cylinder		4	4		
		42	Bore×Stroke	mm	98×110	94×120		
	43	Displacement	L	3.318	3.331			
	44	Fuel tank capacity	L	55	55			
	Transmission	45	Manufacture	China				
		46	Type	YQXD30MKS	YQXD30MKS	YQXD40MKS		
47	Stage	F/R	1/1					
48	Operating pressure	Mpa	20					

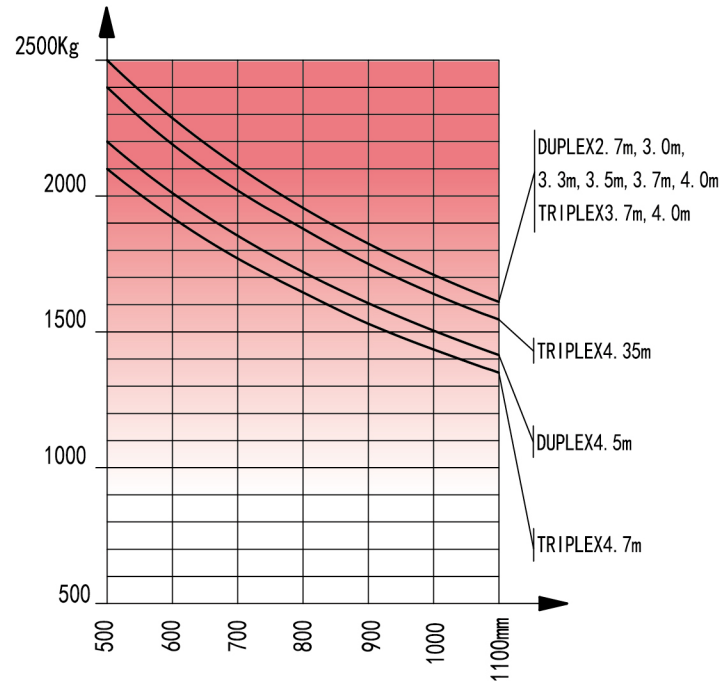
Compact 4WD 1.8T/2.5T/3.5T										
General	1	Model		FD18T-C4WE3	FD25T-C4WE3	FD35T-C4WE3				
	2	Power type		Diesel						
		Optional type		WV3/W(6)3						
	3	Rated capacity	kg	1800	2500	3500				
Characteristic&Dimension	4	Load centre	mm	500	500	500				
	5	Free lift height	mm	3000	3000	3000				
	6	Free lift	mm	105	160	165				
	7	Fork size	L×W×T	mm	1070×100×35	1070×122×40	1220×122×45			
	8	Fork regulating range	Min./Max.	mm	200-1315	250-1310	250-1500			
	9	Mast tilt angle	F/R	Deg	10/12	10/12	10/12			
	10	Front overhang		mm	520	586	601			
	11	Rear overhang		mm	600	600	600			
	12	Min.ground clearance(drive steering axle)		mm	219	219	219			
	Min.ground clearance(chassis) (Unladen/Laden)	13		mm	230/215	230/215	224/230			
		14		mm	275/250	270/255	270/250			
	15	Ground clearance (drawbar pin)		mm	354.5	354.5	430			
	16	Height from seat surface to overhead guard inner side		mm	990	990	1043			
	Overall dimensions	17	Length to face of fork(without fork)	mm	3000	3066	3081			
		18	Overall width	mm	1450	1450	1600			
		19	Mast lowered height	mm	2145	2235	2330			
		20	Mast extended height(with backrest)	mm	4140	4175	4305			
	21	Overhead guard height	mm	2256	2256	2276				
	22	Turning radius		mm	3120	3120	3120			
	Min. right angle stacking aisle width	23	Pallet size a ₁₂ =1000,b ₁₂ =1200	mm	4629	4706	4921			
24		Pallet size a ₁₂ =1200,b ₁₂ =800	mm	4829	4906	4871				
25	Min. right angle stacking aisle width(pallet size a ₁₂ =1200,b ₁₂ =1200)	mm	2670	2670	2725					
Performance	Speed	26	Type	WV3/W(6)3	WE3	WV3/W(6)3	WE3	WV3/W(6)3	WE3	
		27	Travel(Unladen/Laden)	km/h	18/17	20/19	18/17	20/19	18/17	19/18
		28	Lifting(Unladen/Laden)	mm	630/590	640/610	620/570	650/600	480/450	510/485
		29	Lowering(Unladen/Laden)	mm	420/450	420/450	510/450	510/450	500/450	500/450
	30	Max. Drawbar pull(Unladen/Laden)	KN	31	38	38	38	27	38	
31	Max. Gradeability(Unladen/Laden)	%	50	80	50	50	30	45		
Tyre	Braking distance		m	≤6						
	Tyre	32	Front		12-16.5-12PR	12-16.5-12PR	14-17.5L-14PR			
		33	Rear		10.0/75-15.3	10.0/75-15.3	10.0/75-15.3			
	Tyre pressure(Front/Rear)		MPa	0.62/0.55	0.62/0.55	0.55/0.55				
	Tread	34	Front	mm	1123	1123	1250			
		35	Rear	mm	1190	1190	1190			
Ground clearance (Front tyre centre)(Unladen/Laden)		mm	405.5/385	405.5/385	450.5/425					
Ground clearance (Rear tyre centre)(Unladen/Laden)		mm	370/350	370/350	370/385					
Weight	Wheelbase		mm	1880	1880	1880				
	Self weight		kg	4255	4830	5545				
	Weight Distribution	Laden	36	Front Axle	kg	4602	6597	7872		
		37	Rear Axle	kg	1453	733	1073			
Unladen	38	Front Axle	kg	1702	2173	2345				
	39	Rear Axle	kg	2553	2657	3100				
40	Battery	V/Ah	12/90							
Power&Transmission	Engine	41	Model	S4S	D04EG	4TNE98-BQFLC				
		42	Manufacture	MITSUBISHI	MITSUBISHI	YANMAR				
		43	Rated output/r.p.m.	Kw	35.3/2250	36/2250	42.1/2300			
		44	Rated torque/r.p.m.	N.m	182/1800	177/1800	186-206/1700			
		45	No. of cylinder		4	4	4			
		46	Bore×Stroke	mm	94×120	94×120	98×110			
	47	Displacement	L	3.31	3.331	3.318				
	48	Fuel tank capacity	L	55	55	55				
	Transmission	49	Manufacture	China						
		50	Type	FSDT35I						
51	Stage	F/R	2/1							
52	Operating pressure	MPa	16.5	20	20					

Mast Specification

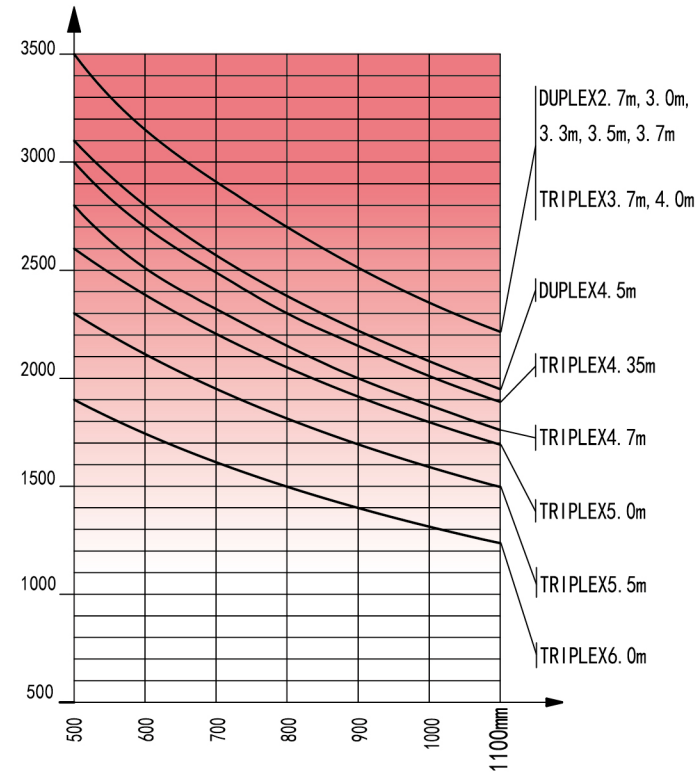
Type	Model	Max. fork height mm	Overall height			Free lift						Front Overhang			Tilt range		Capacity at max. height Load Center 500mm								
			Lowered			With backrest			Without backrest			1.8T			2.5T			3.5T			Without side shift carriage		With side shift carriage		
			1.8T	2.5T	3.5T	1.8T	2.5T	3.5T	1.8T	2.5T	3.5T	1.8T	2.5T	3.5T	FWD	BWD	1.8T	2.5T	3.5T	1.8T	2.5T	3.5T			
			mm	mm	mm	mm	mm	mm	mm	mm	mm	mm	mm	mm	Deg	Deg	kg	kg	kg	kg	kg	kg			
wide view 2-stage mast	M330	3300	2298	2385	2480	105	160	165	105	160	165	509	585	600	10°	12°	1800	2500	3500	1800	2500	3200			
	M350	3500	2398	2485	2580	105	160	165	105	160	165	509	585	600	10°	12°	1800	2500	3500	1800	2500	3200			
	M370	3700	2498	2585	2680	105	160	165	105	160	165	509	585	600	10°	12°	1800	2500	3500	1800	2500	3200			
	M400	4000	2698	2785	2880	105	160	165	105	160	165	509	585	600	10°	12°	1800	2500	3400	1800	2500	3100			
	M450	4500	2948	3035	3130	105	160	165	105	160	165	509	585	600	10°	12°	1500	2200	3100	1400	2100	2900			
	M500	5000	3198	---	---	105	---	---	105	---	---	509	---	---	6°	6°	1300	---	---	1200	---	---			
	M550	5500	3498	---	---	105	---	---	105	---	---	509	---	---	6°	6°	1000	---	---	900	---	---			
Full free 3-stage mast	M600	6000	3748	---	---	105	---	---	105	---	---	509	---	---	6°	6°	800	---	---	400	---	---			
	TFM400	4000	2033	2080	2205	850	888	890	1230	1333	1336	509	590	620	10°	12°	1800	2500	3400	1800	2400	3100			
	TFM435	4350	2158	2205	2330	980	1013	1015	1360	1458	1461	509	590	620	10°	12°	1800	2400	3000	1600	2200	2900			
	TFM450	4500	2208	---	---	1030	---	---	1410	---	---	509	---	---	10°	12°	1500	---	---	1400	---	---			
	TFM470	4700	---	2320	2445	---	1128	1130	---	1573	1576	---	590	620	---	---	---	2100	2800	---	1900	2500			
	TFM500	5000	2408	2455	2580	1230	1263	1265	1610	1708	1710	509	590	620	6°	6°	1300	1900	2600	1200	1600	2300			
	TFM550	5500	2573	2620	2745	1390	1428	1430	1770	1873	1875	509	590	620	6°	6°	1000	1500	2300	900	1200	2100			
	TFM600	6000	2758	2805	2930	1580	1613	1615	1960	2058	2060	509	590	620	6°	6°	800	1200	1900	400	800	1600			
TFM650	6500	2973	3020	3145	1790	1828	1830	2180	2273	2275	509	590	620	6°	6°	350	700	1300	200	400	1100				



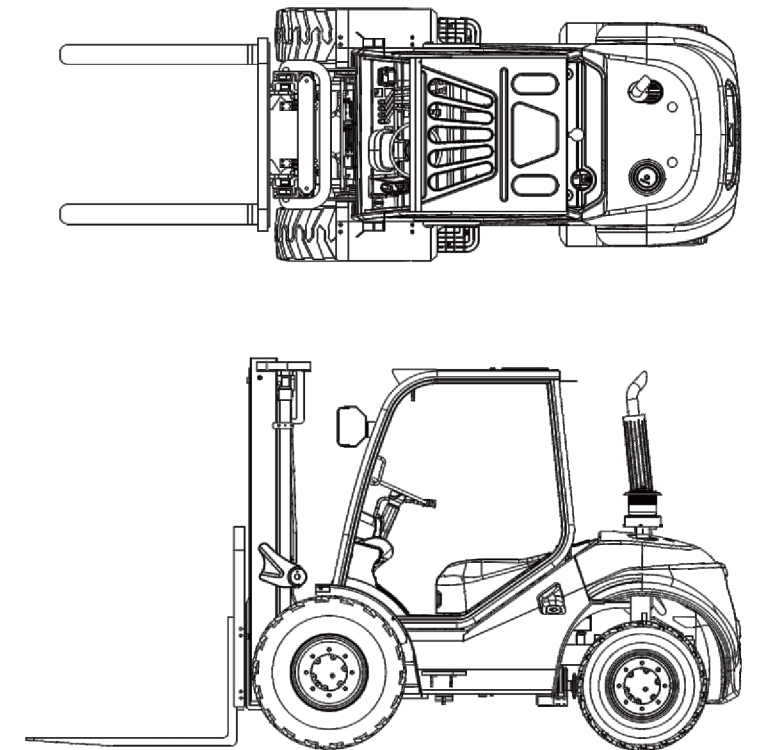
1.8T Load Chart



2.5T Load Chart

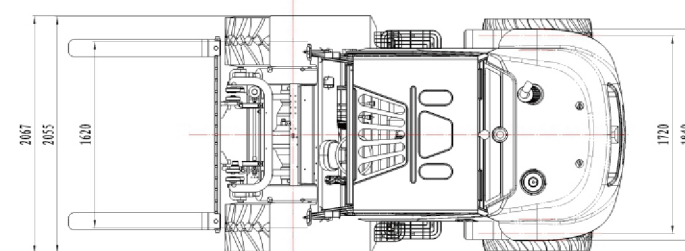
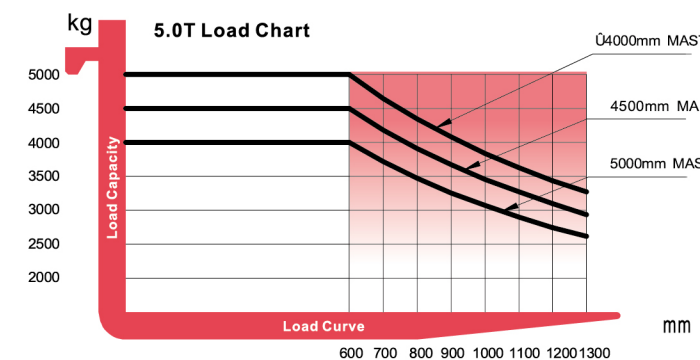
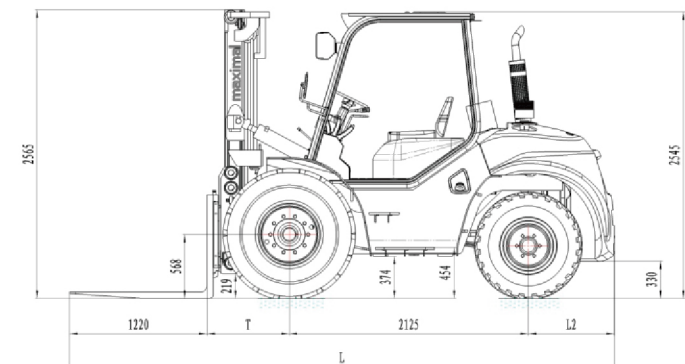


3.5T Load Chart



2WD 5T					
General	1	Model		FD50T-C2W (3) 3 FD50T-C2WF3	
	2	Power type		Diesel Diesel	
	3	Rated capacity	Kg	5000 5000	
	4	Load centre	mm	600 600	
Characteristic&Dimension	5	Lift height		3000 3000	
	6	Free lift height		145 145	
	7	Fork size	L×W×T	1220*150*55 1220*150*55	
	8	Fork regulating range	Min./Max.	300/1654 300/1654	
	9	Mast tilt angle	F/R	15° /15° 15° /15°	
	10	Front overhang		732 732	
	11	Rear overhang		764 764	
	12	Ground clearance	Bottom of mast	320 320	
	13	Overall dimensions	Length to face of fork (without fork)	3622 3622	
	14		Overall width	2067 2067	
	15		Mast lowered height	2565 2565	
	16		Mast extended height (with backrest)	4170 4170	
	17	Overhead guard height		2545 2545	
	18	Min. turning radius		3550 3550	
19	Min. right angle aisle width		5700 5700		
Performance	20	Speed	Travel(Unladen)	Km/h 20/19 21/20	
	21		Lifting(Laden)	mm/s 380 420	
	22		Lowering(Laden)	mm/s 370 410	
	23	Max. Drawbar pull(Laden)		KN 50 50	
24	Max. Gradeability(Loaden)		% 20 28		
Tyre	25	Tyre	Front	445-65-22.5PR 445-65-22.5PR	
			Rear	12.5/80-18 12.5/80-18	
	26	Tread	Front	mm 1620 1620	
			Rear	mm 1720 1720	
27	Wheelbase		mm 2125 2125		
Weight	28	Self weight		kg 8450 8450	
	29	Axle distribution	Laden	Front axle	kg 11700 11700
	30			Rear axle	kg 1750 1750
	31		Unladen	Front axle	kg 3550 3550
	32			Rear axle	kg 4900 4900
Power&Transmission	33	Model		TCD 3.6 L4 6BG1QC	
	34	Manufacture		DEUTZ ISUZU	
	35	Rated output/r.p.m.	Kw	55.4/2200-2300 82/2000	
	36	Rated torque/r.p.m.	N.m	390/1300 416/1400-1600	
	37	No. of cylinder		4 6	
	38	Bore×Stroke	mm	98×120 105×125	
	39	Displacement		L 3.6 6.494	
	40	Battery	V/Ah	2*12/80 2*12/80	
41	Operating pressure		Mpa 20 20		

Type	Model	Max. fork height	Overall height Lowered	Free lift		Front Overhang	Tilt range		Capacity		
				With backrest	Without backrest		5.0T	FWD	BWD	capacity at max. height	
										mm	mm
wide view 2-stage mast	M330	3300	2715	145	145	732	15	15	5000	4700	
	M350	3500	2815	145	145	732	15	15	5000	4700	
	M370	3700	2915	145	145	732	15	15	5000	4700	
	M400	4000	3115	145	145	732	15	15	5000	4700	
	M450	4500	3365	145	145	732	15	15	4500	4050	
Full free 3-stage mast	M500	5000	3615	145	145	732	15	15	4000	3600	
	TFM400	4000	2560	1000	1350	765	15	15	5000	4500	
	TFM435	4350	2685	1125	1475	765	15	15	4500	4050	
	TFM450	4500	2736	1176	1526	765	15	15	4000	3600	
	TFM470	4700	2802	1242	1592	765	15	15	3700	3350	
	TFM500	5000	2935	1375	1725	765	10	15	3300	2950	
TFM600	6000	3300	1740	2090	765	10	15	2000	1800		

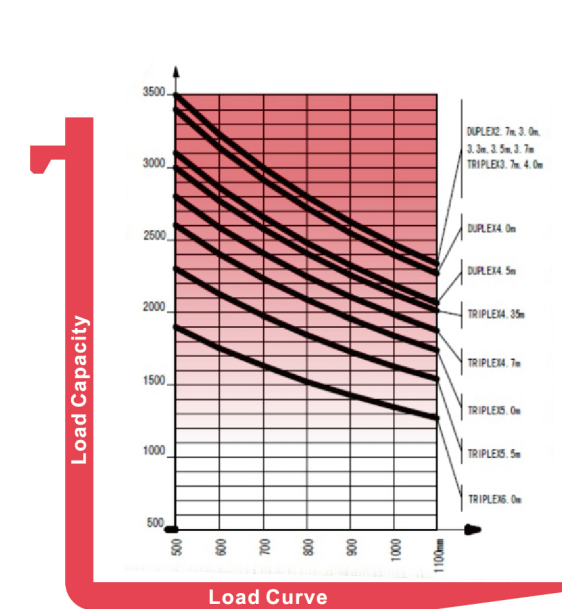
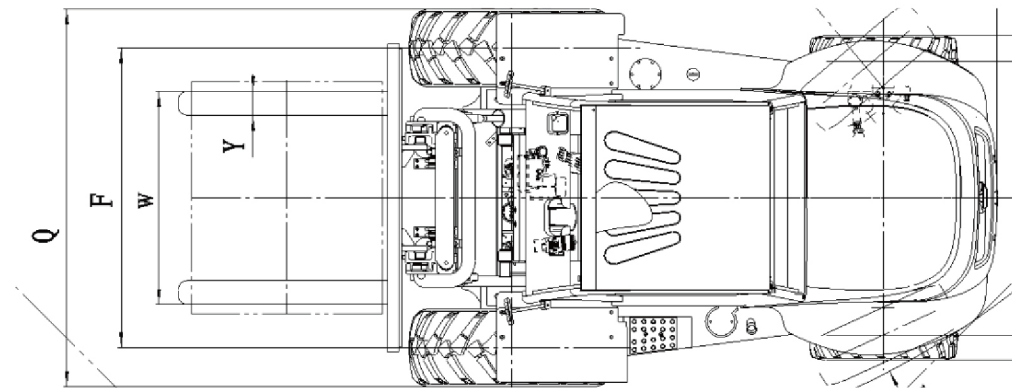


Forklift Specification

Mast Specification

4WD 2.5T/3.5T						
General	1	Model		FD25J-C4WE	FD35J-C4WE	
	2	Power type		diesel	diesel	
	3	Rated capacity	Kg	2500	3500	
	4	Load centre	mm	500	500	
Characteristic&Dimension	5	Lift height	mm	3000	3000	
	6	Free lift height	mm	160	165	
	7	Fork size	L×W×T	1070×125×40	1220×125×45	
	8	Fork regulating range	Min./Max.	250-1560	250-1560	
	9	Mast tilt angle	F/R	10/12	10/12	
	10	Front overhang		mm	680	
	11	Rear overhang		mm	590	
	12	Min. ground clearance		mm	394.5	
	13	Overall dimensions	Length to face of fork (without fork)		mm	3182
	14		Overall width		mm	1980
	15		Mast lowered height		mm	2454
	16		Mast extended height (with backrest)		mm	4270
	17		Overhead guard height		mm	2250
	18	Min. turning radius		mm	4275	4295
	19	Min. right angle stacking aisle width (add load length and clearance)		mm	8375	8395
Performance	20	Speed	Travel(Unladen)	Km/h	20	
	21		Lifting(Laden)	mm/s	540	
	22		Lowering(Laden)	mm/s	630	
	23	Max. Drawbar pull(Laden/unladen)		KN	34.3	
24	Max. Gradeability(Laden)		%	38		
Tyre	25	Tyre	Front	405/70-20-14PR	405/70-20TL	
	26		Rear	10.0/75-15.3-14PR	10.0/75-15.3	
	26	Tread	Front	mm	1570	
	27		Rear	mm	1440	
27	Wheelbase		mm	1950		
Weight	28	Self weight		kg	4900	
	29	Weight Distribution	Laden	Front axle	kg	6290
	30			Rear axle	kg	1110
	31		Unladen	Front axle	kg	2265
32	Rear axle			kg	2635	
Power&Transmission	33	Battery	Voltage/Capacity		V/Ah	12/90
	34	Engine	Model			4TNE98-BQFLC
	35		Manufacture			YANMAR
	36		Rated output/r.p.m.	Kw	42.1/2300	
	37		Rated torque/r.p.m.	N.m	196.3/1700	
	38		No. of cylinder			4
	39		Bore×Stroke		mm	98×110
	40	Displacement		L	3.319	
	41	Fuel tank capacity		L	3.319	
	42	Transmission	Manufacture			DANA
	43		Type	Front axle		112
	44			Rear axle		211
45	Transfer case				311	
46	Stage	F/R			1/1	
47	Static system pressure		Mpa	40		
48	Operating pressure(For attachments)		Mpa	20		
49	Min. right angle stacking aisle width		mm	2980	3000	

Type	Model	Overall height		Free lift				Front Overhang		Tilt range		Capacity			
		Lowered		With backrest		Without backrest		2.5T	3.5T	FWD	BWD	capacity at max. height			
		2.5T	3.5T	2.5T	3.5T	2.5T	3.5T	mm	mm	Deg	Deg	Without side shift carriage		With side shift carriage	
		mm	mm	mm	mm	mm	mm	mm	mm	Deg <td>Deg <td>kg</td> <td>kg</td> <td>kg</td> <td>kg</td> </td>	Deg <td>kg</td> <td>kg</td> <td>kg</td> <td>kg</td>	kg	kg	kg	kg
wide view 2-stage mast	M270	2320	2320	165	165	165	165	700	700	10	12	3500	3500	3200	3200
	M330	2620	2620	165	165	165	165	700	700	10	12	3500	3500	3200	3200
	M350	2720	2720	165	165	165	165	700	700	10	12	3500	3500	3200	3200
	M370	2820	2820	165	165	165	165	700	700	10	12	3500	3500	3200	3200
	M400	3020	3020	165	165	165	165	700	700	10	12	3400	3400	3100	3100
Full free 3-stage mast	M450	3270	3270	165	165	165	165	700	700	10	12	3100	3100	2900	2900
	TFM370	2255	2255	798	798	1243	1243	700	700	10	12	3500	3500	3100	3100
	TFM400	2345	2345	888	888	1333	1333	700	700	10	12	3500	3500	3100	3100
	TFM435	2470	2470	1013	1013	1458	1458	700	700	10	12	3000	3000	2900	2900
	TFM470	2605	2605	1128	1128	1573	1573	700	700	10	12	2800	2800	2500	2500
	TFM500	2720	2720	1263	1263	1708	1708	700	700	6	6	2800	2800	2500	2500
TFM550	2885	2885	1428	1428	1873	1873	700	700	6	6	2500	2500	2300	2300	
TFM600	3070	3070	1613	1613	2058	2058	700	700	6	6	2100	2100	1800	1800	



3.5T Load Chart

