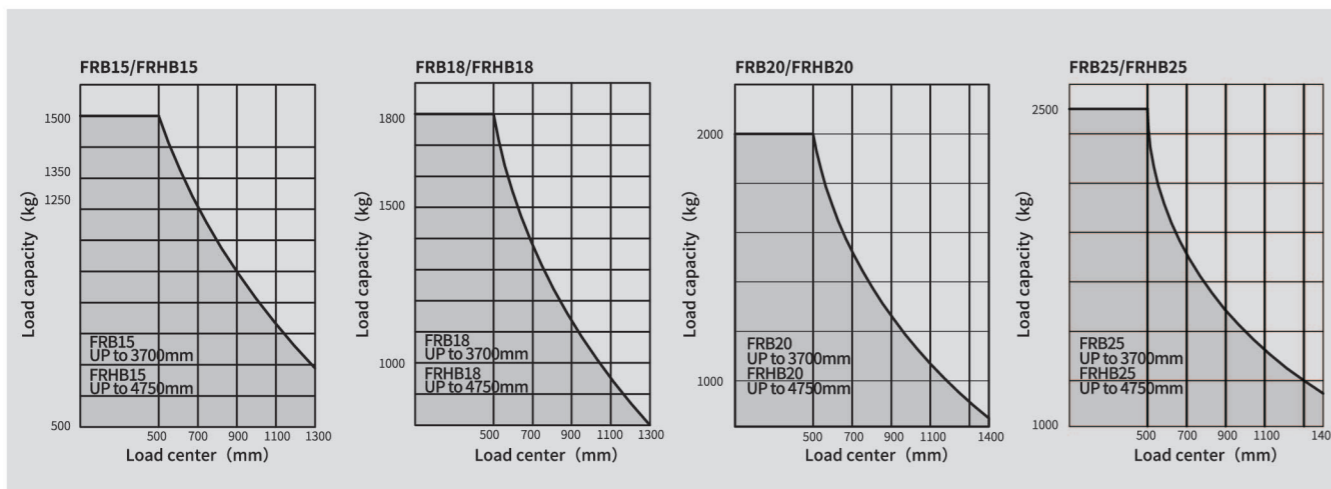


FRB Series 15-25

Electric Reach Forklift Truck



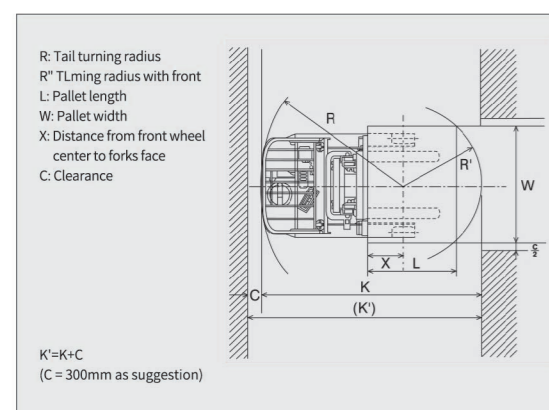
Notes:

Vertical axis represents load capacity; Horizontal axis shows load center; Load center are determined from front face of the fork. Capacity based on a 1000mm cube load configuration with the center of gravity at the true center of the cube, and standard fork. The load capacity will be reduced while the mast tilt forward or loading with longer fork or lifting transformable width of goods. Getting the load capacities at the various load centers timely via the load curve. Load capacity marked on the nameplate.

Right angle stacking aisle

Pallet size	W		L		W		L		W		L		Unload
	1000	800	1100	800	1000	1000	1100	1000	1200	1000	1100	1100	
FRB15	2220		2260		2360		2400		2430		2470		2200
FRHB15	2320		2370		2440		2480		2520		2540		2260
FRB18	2330		2370		2440		2480		2520		2550		2270
FRHB18	2330		2370		2440		2480		2520		2550		2270
FRB20	2400		2450		2540		2570		2610		2640		2390
FRHB20	2510		2550		2610		2650		2690		2710		2470
FRB25	2510		2550		2610		2650		2690		2710		2470
FRHB25	2510		2550		2610		2650		2690		2710		2470

Right angle stacking aisle



Standard equipments:

- Wide view mast ● sack rest. Axial carrier ● 920mm fork ● Electric power steering
- Head guard ● Tilt lever, Lifting lever, Reach lever ● 3th valves with safety valve (Clifting, tilt, reach)
- Tilt lever, Lifting lever, Reach lever ● 3th valves with safety valve (Clifting, tilt, reach)
- open holder ● armrest ● backrest ● Emergency cut-off device
- Undervoltage protection ● lifting speed control ● Headlamp ● Reversing buzzer
- Electric horn ● Neutral-safety switch ● steering indicator lamp ● liquid crystal display
- Folder ● Tools
- *side shifter with 4th valves/levers/pipings

Options:

- Mast & Attachments
- 3 stage free lift mast VFHM ● Side shifter ● Flat clamp ● Paper roll clamp

Others:

- Rotating warning light ● Rear work light

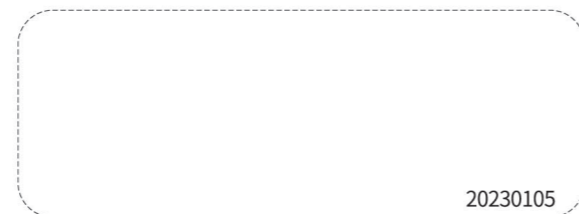
Notes:

TEU products and specifications changes without prior notice. TEU forklift truck equips with standard safety device. TEU is not responsible for the damage occurred by removing its safety device.



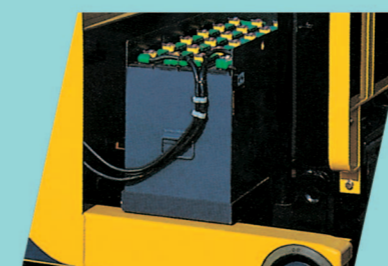
Anhui TEU Forklift Truck Co., Ltd.

Tel: 0086-551-65717981 65717980
 Fax: 0086-551-65711998
 Zip: 230601
 Add: No. 656, Fangxing Road, Economic and Technological development Zone, Hefei, Anhui, China.
 Email: admin@teuforklift.com
 Web: www.teuforklift.com



20230105

Three Features



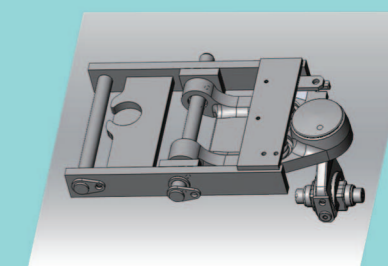
1 Convenient battery sliding device

Power-driven pull type battery, equipped with slide, convenient for examining and maintenance, durable and lighter.



2 Wide vision

Comparing with counter balanced battery forklift, the mast view of reach truck is increased by 10%, which makes operation easier.



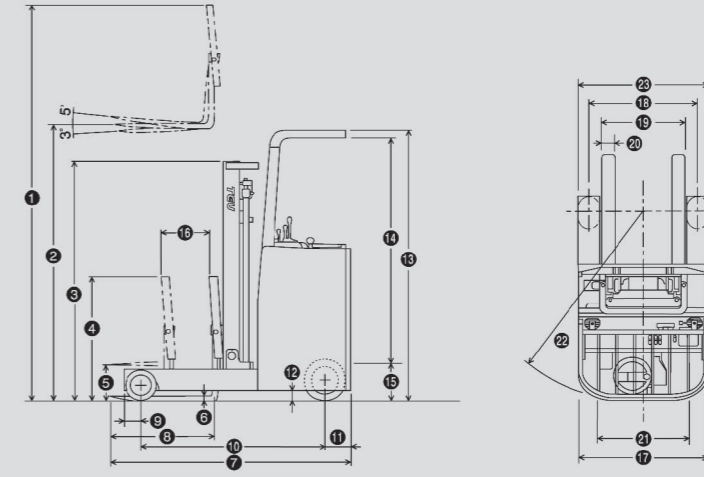
3 Linkage system

Unkage mechanism with independent training wheel, makes vehicle more stable, and adopted with copper alloy self lubricating bearing, maintenance free.

Main Truck Specifications

Specifications		TEU												
		FRB15	FRHB15	FRB18	FRHB18	FRB20	FRHB20	FRB25	FRHB25					
1	Manufacturer													
2	Model													
3	Load capacity	kg	1500		1800		2000		2500					
4	Load center	mm	500											
5	Power unit	Battery												
6	Operator type	Stand type												
7	Tire type	Polyurethane tire												
Dimensions		8	Max.lifting height	mm	3000	4000	3000	4000	3000	4000	3000	4000		
		9	Free lift	mm	105		110							
		10	Fork size	L×W×T	920X100X35		920X100X38		920X122X40					
		11	Tilt angle	Mast forward/Backward	deg								3°/5°	
		12	Total length(without fork)	mm	1710	1890	1895	1895	1925	2095				
		13	Total width	mm	1090				1250					
		14	Mast height	mm	1995	2495	1995	2495	2035	2585	2035	2585		
		15	Overall height(fork raised)	mm	3925	4925	3925	4925	3930	4930	3930	4930		
		16	Height of head guard	mm	2260				2315					
		17	Turning radius(outside)	mm	1580	1760		1800		1970				
18	Distance from front wheel center to forks face	mm	165		170		165							
19	Right angle stacking aisle	mm	2470	2540	2550		2640	2710						
20	Reach distance (mast)	mm	560	705		625		770						
performance		21	Max.travelling speed fw/bw	full load	km/h							10.5		
				no load	km/h							11		
		22	Lifting speed	full load	mm/s		270	250		245		240		
				no load	mm/s		510	510		480		480		
23	Lowering speed	full load	mm/s							450				
		no load	mm/s							550				
24	Gradeability(full load)	%	10											
Weights		25	Truck weight	kg	1735	1725	1825	1905	2265	2375	2385	2475		
		26	Weight distribution (with standard battery)	full load	front axle	kg	2350	2150	2465	2510	2970	2800	3250	3300
		rear axle			kg	1375	1565	1650	1685	1860	2140	2200	2240	
		no load		front axle	kg	710	670	690	730	890	900	880	920	
		rear axle	kg	1515	1545	1625	1665	1940	2040	2070	2120			
Chassis & Wheels		27	Tires	number	front/rear							2/1x+2(X=driven)		
		size		front, load	mm				Φ254X120			Φ267X127		
				rear, drive	mm				Φ330X145			Φ393X152		
			rear, steering	mm				Φ178X73			Φ204X76			
		28	Wheelbase	mm	1345	1525	1525	1525	1530	1700				
		29	Tread	front/rear	mm							970/635	1125/705	
30	Ground clearance	at lowest point	mm									75		
		mast	mm				75		85					
31	Brake	service brake	Mechanical											
		parking brake	Mechanical											
Drive Line		32	Battery (standard)	voltage/capacity	V/AH				48V/280		48V/320			
		33	Battery weight(standard)	kg	490				565					
		34	Electric motors	Drive motor	kw/60min	4.6				6				
				Hydraulic motor	kw/5min	8.2				8.6				
				Steering motor	kw/60min	0.3								
		35	Control type	Drive motor	AC converter									
Hydraulic motor	Dc chopper													
Steering motor	Dc chopper													
36	Operating pressure	kg/cm2	140		160		175							

Standard Specifications



Model	Items	Battery box size (LxWxH mm)	Capacity	Weight(with battery box) (Kg)
FR(H)B15/FR(H)B18		375X958X570	280Ah/5h	490
FR(H)B20/FR(H)B25		395X1140X570	320Ah/5h	565

Model	Unit	FRB15	FRB18	FRB20	FRB25	FRHB15	FRHB18	FRHB20	FRHB25
① Overall height fork raised(with backrest)	mm	3925	3925	3930	3930	4925	4925	4930	4930
② Max lifting height	mm	3000	3000	3000	3000	4000	4000	4000	4000
③ Overall height(fork lowering)	mm	1995	1995	2035	2035	2495	2495	2535	2535
④ Height of backrest	mm	900	900	900	900	900	900	900	900
⑤ Free lift	mm	105	110	410	410	105	110	410	410
⑥ Fork thickness	mm	35	38	40	40	35	38	40	40
⑦ Overall length	mm	2070	2110	2220	2245	2105	2110	2245	2245
⑧ Fork length	mm	920	920	920	920	920	920	920	920
⑨ Front overhang	mm	130	130	135	135	130	130	135	135
⑩ Wheelbase	mm	1345	1525	1530	1700	1525	1525	1700	1700
⑪ Rear overhang	mm	200	200	230	230	200	200	230	230
⑫ Ground clearance(truck body)	mm	75	75	75	75	75	75	75	75
⑬ Height of head guard	mm	2260	2260	2315	2315	2260	2260	2315	2315
⑭ Height from head guard to pedal	mm	1910	1910	1920	1920	1910	1910	1920	1920
⑮ Height of pedal	mm	310	310	355	355	310	310	355	355
⑯ Mast forward distance	mm	560	705	625	770	705	705	770	770
⑰ Width	mm	1090	1090	1250	1250	1090	1090	1250	1250
⑱ Tread (front)	mm	970	970	1125	1125	970	970	1125	1125
⑲ Fork spread(outside)	mm	250-720	250-721	290-820	290-821	250-720	250-721	290-820	290-821
⑳ Fork width	mm	100	100	122	122	100	100	122	122
㉑ Tread (rear)	mm	635	635	705	705	635	635	705	705
㉒ Turning radius(outside)	mm	1580	1760	1800	1970	1760	1760	1970	1970
㉓ Mast bracket width	mm	1080	1080	1240	1240	1080	1080	1240	1240

Wide view mast VM

Mast model	Max.lift height	Mast height			Load capacity							
		fork lift	fork lowered		FRB15	FRB18	FRB20	FRB25	FRHB15	FRHB18	FRHB20	FRHB25
	mm	mm	mm		kg	kg	kg	kg	kg	kg	kg	kg
VM270	2700	3625	1845		1500	1800	2000	2500	/	/	/	/
VM300	3000	3925	1995		1500	1800	2000	2500	/	/	/	/
VM330	3300	4225	2145		1500	1800	2000	2500	/	/	/	/
VM350	3500	4425	2245		1500	1800	1950	2500	/	/	/	/
VM370	3700	4625	2345		1500	800	1950	2500	/	/	/	/
VM400	4000	4925	2495		1400	1700	1950	2400	1500	1800	2000	2500
VM425	4250	5175	2670		1350	1650	1850	2400	1500	1800	2000	2500
VM450	4500	5425	2795		1350	1600	1850	2350	1500	1700	2000	2500
VM475	4750	5675	2920		1200	1500	1750	2200	1500	1600	2000	2400
VM500	5000	5925	3045		1200	1450	1750	2200	1300	1500	1950	2400

3 stage free lift mast VFHM

Mast model	Max.lift height	Mast height		Load capacity			
		fork lift	fork lowered	FRHB15	FRHB18	FRHB20	FRHB25
	mm	mm	mm	kg	kg	kg	kg
VFHM400	4000	4925	1870	1500	1800	2000	2500
VFHM435	4350	5275	1995	1500	1700	2000	2500
VFHM470	4700	5625	2110	1400	1600	1950	2450
VFHM500	5000	5925	2245	1400	1500	1900	2350
VFHM550	5500	6425	2410	1200	1300	1800	2250
VFHM600	6000	6925	2595	650	700	1700	2100